

EXTRA HEAVY DUTY OIL COUNTRY CHUCKS



BISON OIL COUNTRY CHUCKS

4 jaw Independent, Extra Heavy Duty Forged Steel Solid Body, with Extra Large Thru-Hole

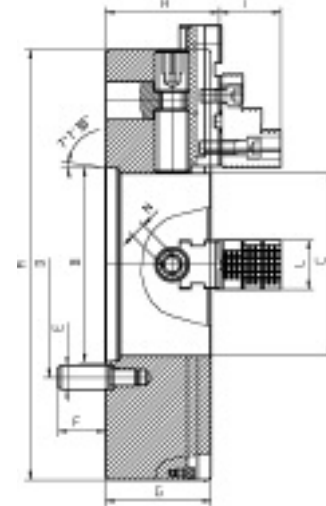
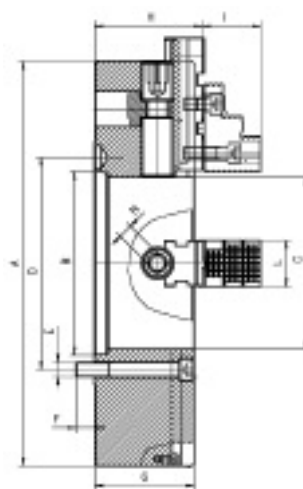
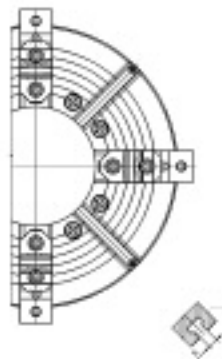
Standard Accessories

1 set of two-piece reversible jaws (hard top jaws and hard master jaws), 1 wrench, 1 set of mounting bolt, 2 allen keys and 2 eye bolts.

Note:

Type A1 spindle has a 2 bolt pattern (inside and outside the taper) an A1 or A2 chuck will fit on it.

Type A2 spindle has a 1 bolt pattern (outside the taper) only an A2 chuck will fit on it.



A 2 Direct Mount



Camlock "D" Direct Mount

BISON OIL COUNTRY CHUCKS

Chuck Dia. A	Type of Mounting	Hole Dia. C (In.)	B +.001"	D	G	H	I	K	L	N	E	F	Max. RPM	Weight lbs.	Code No.	Price \$
A2 Direct Mount Type 4317																
15-3/4"	A2-8	5.3	5.50075	6.750	5.71	6.067	2.981	.709	2.362	.748	5/8-11	.961	1200	320	450-500	5,676.90
15-3/4"	A2-11	6.5	7.75075	9.250	5.71	6.067	2.981	.709	2.362	.748	3/4-10	1.118	1200	302	450-505	6,143.30
20"	A2-11	6.5	7.75075	9.250	5.71	6.067	2.981	.866	2.362	.748	3/4-10	1.118	1000	450	450-510	7,877.50
20"	A2-15	8.0	16.251	18.250	5.71	6.067	2.981	.866	2.362	.748	7/8-9	1.276	1000	414	450-515	106,342.40
25"	A2-15	10.5	11.251	13.00	6.10	6.579	3.571	.866	2.953	.866	7/8-9	1.343	850	684	450-520	12,015.30
25"	A2-20	12.55	16.251	18.252	6.10	6.579	3.571	.866	2.953	.866	1-8	1.50	850	662	450-525	12,015.30
28"	A2-15	10.5	11.251	13.00	6.10	6.579	3.571	.866	2.953	.866	7/8-9	1.34	750	915	450-530	17,502.90
28"	A2-20	12.55	16.251	18.252	6.10	6.579	3.571	.866	2.953	.866	1-8	1.50	750	873	450-535	17,502.90
32"	A2-15	10.5	11.251	13.00	6.10	6.972	3.571	.866	2.953	.866	7/8-9	1.34	600	1290	450-540	20,089.20
32"	A2-20	12.55	16.251	18.252	6.10	6.972	3.571	.866	2.953	.866	1-8	1.50	600	1246	450-545	20,089.20
D1 Direct Mount Type 4347																
15-3/4"	D1-8	5.3	5.50075	6.75	5.71	6.067	2.981	.709	2.362	.748	1	2	1200	300	450-550	6,459.60
15-3/4"	D1-11	6.5	7.75075	9.25	5.71	6.067	2.981	.709	2.362	.748	1.25	2.4	1200	282	450-555	6,471.90
20"	D1-8	5.3	5.50075	6.75	5.71	6.067	2.981	.866	2.362	.748	1	2	1000	468	450-560	8,574.20
20"	D1-11	6.5	7.75075	9.252	5.71	6.067	2.981	.866	2.362	.748	1.25	2.4	1000	452	450-565	8,121.60
28"	D1-11	7.5	7.75075	9.252	6.10	6.579	3.57	.866	2.953	.866	1.25	2.4	750	993	450-570	17,497.40