

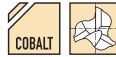
90° Cobalt 3-Flute Countersinks



- M35 Cobalt
- Wide flutes provide good chip evacuation
- Positive cut
- Constant profile aids regrinding of the tool
- Self-centering of the cutting mill (three bearing points) virtually eliminates vibration



121865

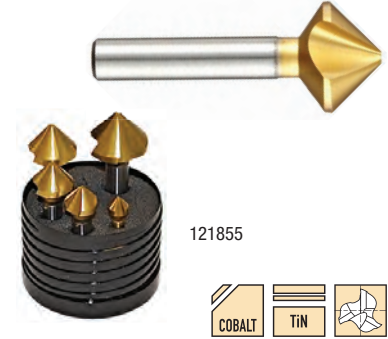


Diameter	Overall Length	Shank Diameter	Code No.	Price \$
Inch				
1/4"	45mm	1/4"	121899	38.85
5/16"	45mm	1/4"	121900	44.75
3/8"	50mm	1/4"	121901	50.87
1/2"	50mm	1/4"	121902	61.33
5/8"	60mm	3/8"	121903	73.03
3/4"	60mm	3/8"	121904	85.32
1"	70mm	3/8"	121905	94.36
7pc Set			121866	458.15
Metric				
6.3mm	45mm	5mm	121894	44.75
10.4mm	50mm	6mm	121895	60.17
16.5mm	60mm	10mm	121896	84.49
20.5mm	63mm	10mm	121897	99.41
25.0mm	67mm	10mm	121898	121.12
5pc Set			121865	405.50

90° Cobalt 3-Flute Countersinks - TiN Coated



- M35 Cobalt - TiN coated
- Wide flutes provide good chip evacuation
- Positive cut
- Constant profile aids regrinding of the tool
- Self-centering of the cutting mill (three bearing points) virtually eliminates vibration



121855



Diameter	Overall Length	Shank Diameter	Code No.	Price \$
Inch				
1/4"	45mm	1/4"	121857	50.87
5/16"	45mm	1/4"	121858	59.05
3/8"	50mm	1/4"	121859	64.97
1/2"	50mm	1/4"	121862	79.21
5/8"	60mm	3/8"	121863	93.39
3/4"	60mm	3/8"	121864	102.95
1"	70mm	3/8"	121867	127.77
7pc Set			121856	565.99
Metric				
10.4mm	50mm	6mm	121850	73.03
16.5mm	60mm	10mm	121851	105.59
20.5mm	63mm	10mm	121852	121.68
25.0mm	67mm	10mm	121853	145.27
31.0mm	71mm	12mm	121854	201.38
5pc Set			121855	628.50

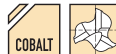
82° Cobalt 3-Flute Countersinks



- M35 Cobalt
- Wide flutes provide good chip evacuation
- Positive cut
- Constant profile aids regrinding of the tool
- Self-centering of the cutting mill (three bearing points) virtually eliminates vibration



121860



Diameter	Overall Length	Shank Diameter	Code No.	Price \$
Inch				
1/4"	45mm	1/4"	121875	38.85
5/16"	45mm	1/4"	121876	44.75
3/8"	50mm	1/4"	121877	49.51
1/2"	50mm	1/4"	121878	57.41
5/8"	60mm	3/8"	121879	71.14
3/4"	60mm	3/8"	121880	85.32
1"	70mm	3/8"	121881	94.36
7pc Set			121861	445.69
Metric				
6.3mm	45mm	5mm	121868	44.75
10.4mm	50mm	6mm	121869	58.51
16.5mm	61mm	10mm	121872	84.49
20.5mm	64mm	10mm	121873	96.69
25.0mm	68mm	10mm	121874	121.12
5pc Set			121860	369.38

82° Cobalt 3-Flute Countersinks - TiN Coated



- M35 Cobalt - TiN coated
- Wide flutes provide good chip evacuation
- Positive cut
- Constant profile aids regrinding of the tool
- Self-centering of the cutting mill (three bearing points) virtually eliminates vibration



121870



Diameter	Overall Length	Shank Diameter	Code No.	Price \$
Inch				
1/4"	45mm	1/4"	121887	43.71
5/16"	45mm	1/4"	121888	50.75
3/8"	50mm	1/4"	121889	55.88
1/2"	50mm	1/4"	121890	68.06
5/8"	60mm	3/8"	121891	80.24
3/4"	60mm	3/8"	121892	92.41
1"	70mm	3/8"	121893	109.83
7pc Set			121871	499.96
Metric				
10.4mm	50mm	6mm	121882	73.03
16.5mm	61mm	10mm	121883	105.59
20.5mm	64mm	10mm	121884	110.86
25.0mm	68mm	10mm	121885	141.34
31.0mm	73mm	12mm	121886	188.58
5pc Set			121870	611.37