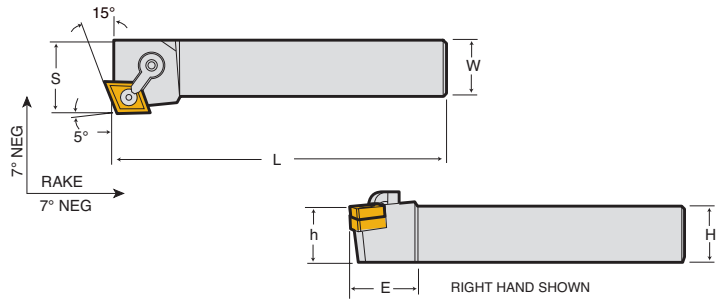




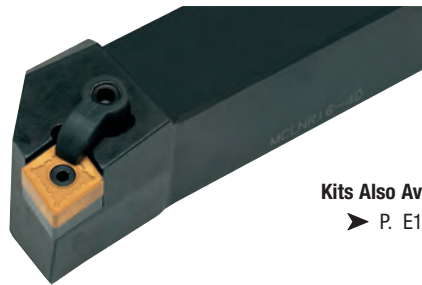
MCKNR/L



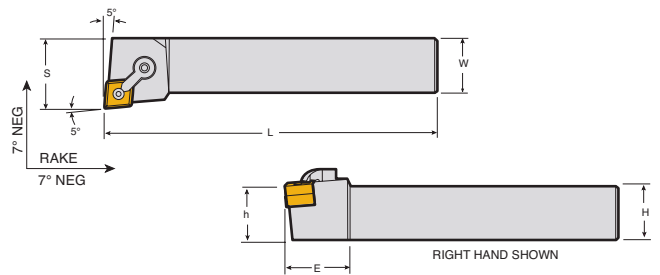
Ref	Holder Style		Application		Inserts						Parts					
Comment	K Style, Approach Angle 75°		Facing		Facing						Parts					
MCKNR/L	Code #		Code #		H	W	L	S	h	E						
	Right	Price \$	Left	Price \$												
16-4D	145820	217.17	145821	222.45	1.000	1.000	6.000	1.250	1.000	1.25	WN□□43□	CL-20 146918 \$ 10.00	XNS-48 146922 \$ 2.31	ICSN-432 146908 \$ 10.96	NL-46 146912 \$ 5.04	
20-4D	145822	267.05	145823	267.05	1.250	1.250	6.000	1.500	1.000	1.25						
20-5D	145824	146.95	145825	146.95	1.250	1.250	6.000	1.500	1.375	1.47	CN□□54□	CL-12 146917 \$ 10.00	XNS-510 146920 \$ 2.38	ICSN-533 146909 \$ 13.55	NL-58 146913 \$ 5.61	
20-6D	145826	159.73	145827	159.73	1.250	1.250	6.000	1.500	1.500	1.44	CN□□64□	CL-12 146917 \$ 10.00	XNS-510 146920 \$ 2.38	ICSN-633 146910 \$ 15.68	NL-68 146914 \$ 6.30	

► P. E10-12, E38-39

MCLNR/L



Kits Also Available
► P. E168



Ref	Holder Style		Application		Inserts						Parts					
Comment	L Style, Approach Angle 95°		Turning, Facing		Turning, Facing						Parts					
MCLNR/L	Code #		Code #		H	W	L	S	h	E						
	Right	Price \$	Left	Price \$												Clamp
12-4B	145780	227.36	145745	197.20	0.750	0.750	4.500	1.000	0.750	1.200	CN□□43□	CL-20 146918 \$ 10.00	XNS-48 146922 \$ 2.31	ICSN-432 146908 \$ 10.96	NL-46 146912 \$ 5.04	
16-4D	145828	222.45	145829	217.17	1.000	1.000	6.000	1.250	1.000	1.200						
20-4D	145838	260.72	145782	267.05	1.250	1.250	6.000	1.500	1.250	1.300						
20-5D	145830	267.05	145831	267.05	1.250	1.250	6.000	1.500	1.250	1.370	CN□□54□	CL-12 146917 \$ 10.00	XNS-510 146920 \$ 2.38	ICSN-533 146909 \$ 13.55	NL-58 146913 \$ 5.61	
20-6D	145832	267.05	145833	267.05	1.250	1.250	6.000	1.500	1.250	1.370	CN□□64□	CL-12 146917 \$ 10.00	XNS-510 146920 \$ 2.38	ICSN-633 146910 \$ 15.68	NL-68 146914 \$ 6.30	
24-6E	145834	314.24			1.500	1.500	7.000	2.000	1.500	1.496						

► P. E10-12, E38-39