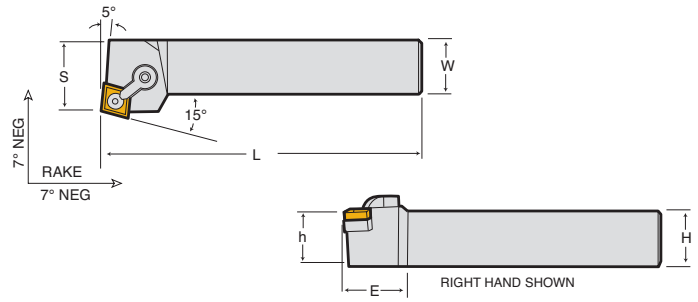


MCRNR/L



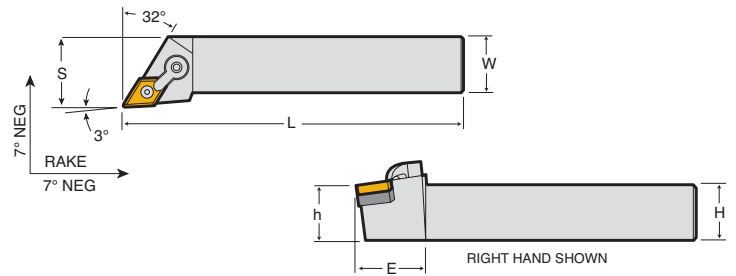
Ref	Holder Style		Application		Inserts						Parts				
Comment	R Style, Approach Angle 75°		Turning, Facing												
MCRNR/L	Code #		Code #		H	W	L	S	h	E	Clamp	Clamp Screw	Shim	Pin	
	Right	Price \$	Left	Price \$											
16-4D	145835	222.45	145836	222.45	1.000	1.000	6.000	1.25	1.000	1.24	CN□□43□	CL-20 146918 \$ 10.00	XNS-48 146922 \$ 2.31	ICSN-432 146908 \$ 10.96	NL-46 146912 \$ 5.04
20-4D	145837	260.51	145778	272.01	1.250	1.250	6.000	1.50	1.250	1.24	CN□□43□	CL-20 146918 \$ 10.00	XNS-48 146922 \$ 2.31	ICSN-432 146908 \$ 10.96	NL-46 146912 \$ 5.04
20-5D	145839	267.05	145840	267.05	1.250	1.250	6.000	1.50	1.250	1.34	CN□□54□	CL-12 146917 \$ 10.00	XNS-510 146920 \$ 2.38	ICSN-533 146909 \$ 13.55	NL-58 146913 \$ 5.61
20-6D	145841	267.05	145842	119.96	1.250	1.250	6.000	1.25	1.250	1.24	CN□□64□	CL-12 146917 \$ 10.00	XNS-510 146920 \$ 2.38	ICSN-633 146910 \$ 15.68	NL-68 146914 \$ 6.30
24-6E	145843	314.24	145844	137.50	1.500	1.500	7.000	2.00	1.500	1.49	CN□□64□	CL-12 146917 \$ 10.00	XNS-510 146920 \$ 2.38	ICSN-633 146910 \$ 15.68	NL-68 146914 \$ 6.30

➤ P. E10-12, E39

MDJNR/L



Kits Also Available
➤ P. E168



Ref	Holder Style		Application		Inserts						Parts				
Comment	J Style, Approach Angle 93°		Turning, Copying												
MDJNR/L	Code #		Code #		H	W	L	S	h	E	Clamp	Clamp Screw	Shim	Pin	
	Right	Price \$	Left	Price \$											
12-4B	146328	197.20	146330	197.20	0.750	0.750	4.500	1.000	0.750	1.200	DN□□44□	CL-12 146917 \$ 10.00	XNS-59 146921 \$ 2.38	IDSN-432 146907 \$ 10.00	NL-46 146912 \$ 5.04
16-4D	145845	238.66	145846	217.17	1.000	1.000	6.000	1.250	1.000	1.250	DN□□44□	CL-12 146917 \$ 10.00	XNS-59 146921 \$ 2.38	IDSN-432 146907 \$ 10.00	NL-46 146912 \$ 5.04
20-4D	145847	267.05	145848	267.05	1.250	1.250	6.000	1.500	1.250	1.240	DN□□44□	CL-12 146917 \$ 10.00	XNS-59 146921 \$ 2.38	IDSN-432 146907 \$ 10.00	NL-46 146912 \$ 5.04

➤ P. E14-16, E38-40