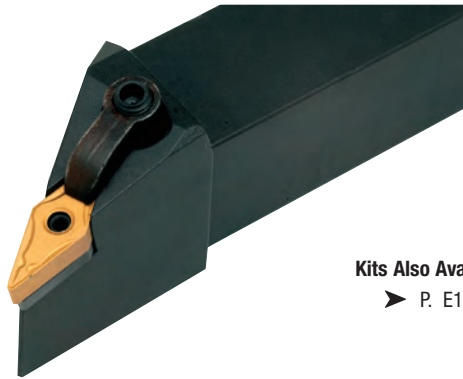
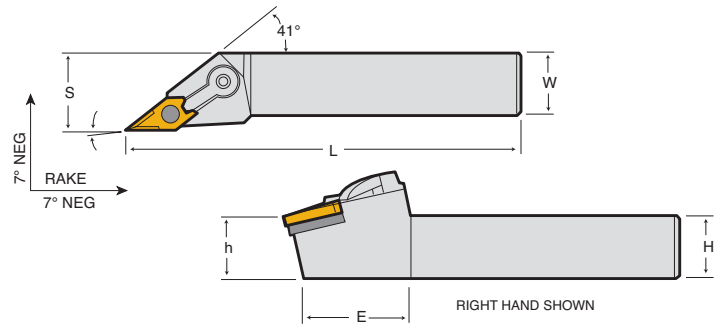




## MVJNR/L



Kits Also Available  
➤ P. E169



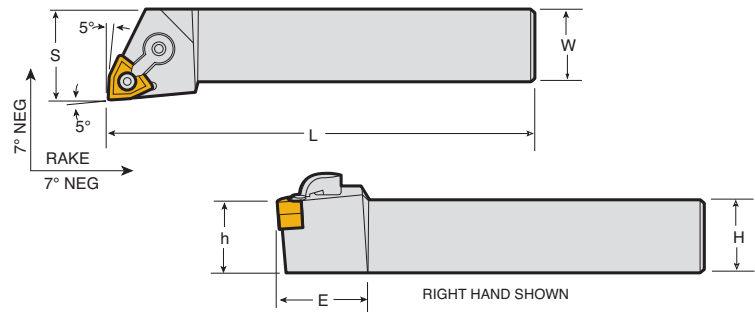
Ref	Holder Style		Code #		Application						Inserts	Parts			
Comment	J Style, Approach Angle 93°				Turning, Copying										
MVJNR/L	Code #		Code #		H	W	L	S	h	E	VN□□33□	Clamp	Clamp Screw	Shim	Pin
	Right	Price \$	Left	Price \$											
12-3C	147265	140.08	147417	140.08	0.750	0.750	5.000	1.000	0.750	1.660	VN□□33□	CL-30 147214 \$ 17.69	XNS-59 146921 \$ 2.38	IWSN-322 146983 \$ 8.65	NL-34L 146911 \$ 5.47
16-3D	145893	238.66	145738	238.66	1.000	1.000	6.000	1.250	1.000	1.660		CL-30 147214 \$ 17.69	XNS-510 146920 \$ 2.38	IWSN-433 148287 \$ 11.57	NL-46 146912 \$ 5.04
20-4D	147226	160.88	147225	157.66	1.250	1.250	6.000	1.500	1.250	2.000	VN□□43□	CL-30 147214 \$ 17.69	XNS-510 146920 \$ 2.38	IWSN-433 148287 \$ 11.57	NL-46 146912 \$ 5.04

➤ P. E29, E38

## MWLNLR/L



Kits Also Available  
➤ P. E169



Ref	Holder Style		Code #		Application						Inserts	Parts			
Comment	L Style, Approach Angle 95°				Turning, Facing										
MWLNLR/L	Code #		Code #		H	W	L	S	h	E	WN□□33□	Clamp	Clamp Screw	Shim	Pin
	Right	Price \$	Left	Price \$											
12-3B	145744	139.51	147148	197.58	0.750	0.750	4.500	1.000	0.750	1.000	WN□□33□	CL-6 146915 \$ 10.00	XNS-36 146919 \$ 2.31	IWSN-322 147139 \$ 20.58	NL-34L 146911 \$ 5.47
12-4B	145875	197.20	145876	197.20	0.750	0.750	4.500	1.000	0.750	1.250		WN□□43□	CL-20 146918 \$ 10.00	XNS-48 146922 \$ 2.31	IWSN-432 146906 \$ 15.58
16-4D	145808	153.63	145809	217.17	1.000	1.000	6.000	1.250	1.000	1.250	CL-20 146918 \$ 10.00		XNS-48 146922 \$ 2.31	IWSN-432 146906 \$ 15.58	NL-46 146912 \$ 5.04
20-4D	145810	260.72	145811	267.05	1.250	1.250	6.000	1.500	1.250	1.250	CL-20 146918 \$ 10.00		XNS-48 146922 \$ 2.31	IWSN-432 146906 \$ 15.58	NL-46 146912 \$ 5.04

➤ P. E31-33