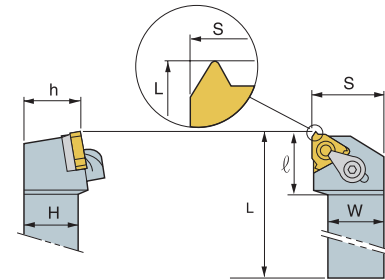
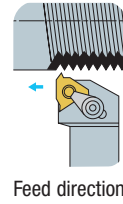


External Threading Holders

ETH3



Kits Also Available
➤ P. E171



Ref	Holder Style	Application							Inserts	Parts					
Comment		External Threading													
ETH3	Code #	Price \$	H=(h)	W	L	S	l	(inch)		Clamp	Clamp Screw	Shim	Screw	C Ring	Wrench
3/4"	146708	222.01	0.750	0.750	6.000	1.205	1.100			CH5R3	CHX0513	ST32C1	SHX0310	CR04	HW20L
1"	146290	150.48	1.000	1.000	6.000	1.205	1.100	ECTR	146474 \$ 43.65	146475 \$ 24.53	146476 \$ 19.43	146155 \$ 11.76	146477 \$ 4.11	146954 \$ 3.28	

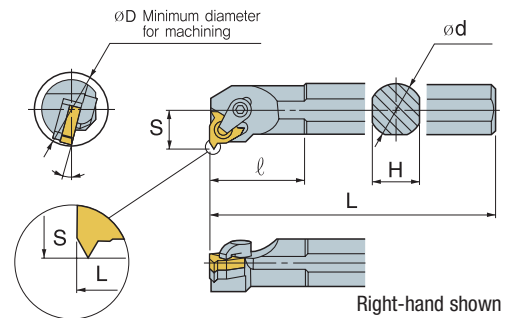
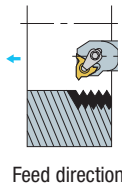
➤ P. E88

Internal Threading Holders

ITH3



Kits Also Available
➤ P. E171



Ref	Holder Style	Application							Inserts	Parts						
Comment		Internal Threading														
ITH3	Code #	Price \$	øD	ød	H	L	l	S	(inch)		Clamp	Clamp Screw	Shim	Screw	C Ring	Wrench
3/4"	146255	204.87	0.950	0.750	0.625	7.00	2.00	0.520			CH5R3	CHX0513	ST32C1	SHX0310	CR04	HW20L
1"	146254	243.47	1.150	1.000	0.750	8.00	2.50	0.650	ICTR	146474 \$ 43.65	146475 \$ 24.53	146476 \$ 19.43	146155 \$ 11.76	146477 \$ 4.11	146954 \$ 3.28	
1.25"	146256	323.19	1.460	1.250	1.250	10.00	2.50	0.780								

➤ P. E88