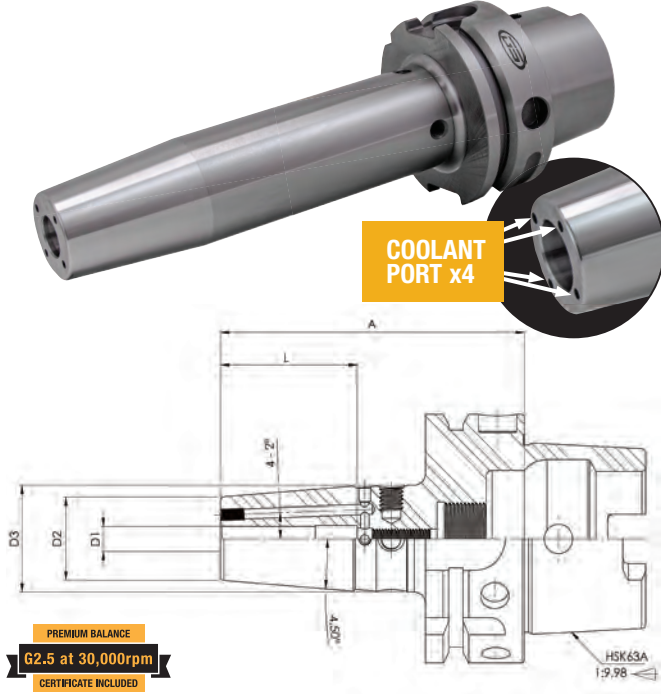


## HSK63A Shrink Fit Holders With Coolant Ports



- Holders are balanceable with a balancing machine
- Balanced G2.5 at 30,000rpm
- 4 Coolant ports in the nose
- For maximum gripping power with exceptional concentricity
- TIR of  $\leq 0.0001'' / 0.003\text{mm}$  with tool shrunk in holder
- AT2 Taper Accuracy
- Tool is gripped 360° along the entire length of bore resulting in an evenly distributed clamping force
- Material: H13 Tool Steel
- The hot hardness (hot strength) of H13 resists thermal fatigue cracking which occurs as a result of cyclic heating and cooling cycles
- RFID chip hole

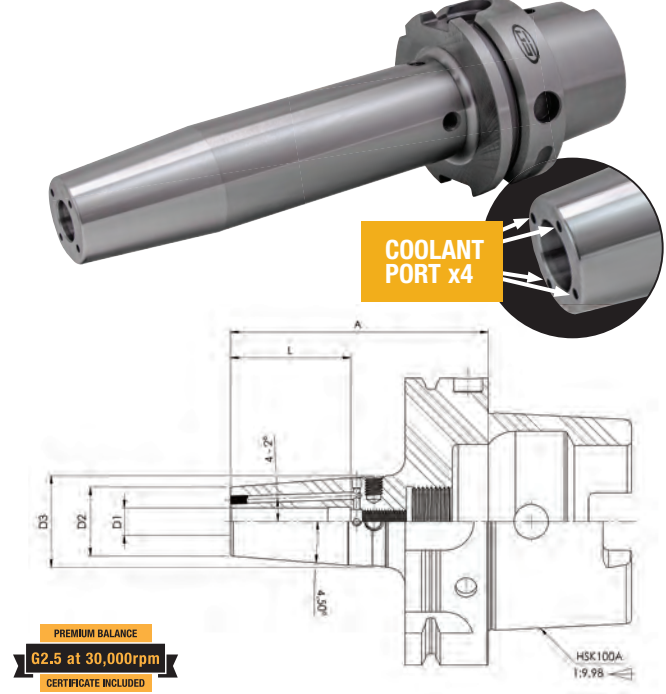


Taper	Hole Dia. (D1)	Gage Length (A)	D2	D3	L	Code No.	Price \$
<b>Inch</b>							
HSK63A	1/8"	3.15"	0.59"	0.787"	0.35"	546338	325.00
HSK63A	3/16"	3.15"	0.59"	0.787"	0.47"	546340	325.00
HSK63A	1/4"	3.15"	0.826"	1.06"	1.42"	546342	325.00
HSK63A	1/4"	6.30"	0.83"	1.06"	1.42"	546344	465.00
HSK63A	5/16"	3.15"	0.826"	1.06"	1.42"	546346	325.00
HSK63A	3/8"	3.35"	0.94"	1.26"	1.65"	546350	325.00
HSK63A	3/8"	6.30"	0.94"	1.26"	1.65"	546352	465.00
HSK63A	1/2"	3.54"	1.06"	1.34"	1.65"	546354	325.00
HSK63A	1/2"	6.30"	1.06"	1.34"	1.65"	546356	465.00
HSK63A	5/8"	3.74"	1.06"	1.34"	1.97"	546358	325.00
HSK63A	5/8"	6.30"	1.06"	1.34"	1.97"	546360	465.00
HSK63A	3/4"	3.94"	1.30"	1.65"	2.05"	546362	325.00
HSK63A	3/4"	6.30"	1.30"	1.65"	2.05"	546364	465.00
HSK63A	1"	4.53"	1.73"	2.09"	2.28"	546366	325.00
HSK63A	1"	6.30"	1.73"	2.09"	2.28"	546368	465.00
HSK63A	1-1/4"	4.72"	1.73"	2.09"	2.28"	546370	325.00
HSK63A	1-1/4"	6.30"	1.73"	2.09"	2.28"	546372	465.00
<b>Metric</b>							
HSK63A	3mm	80mm	15mm	20mm		546300	325.00
HSK63A	4mm	80mm	15mm	20mm	12mm	546302	325.00
HSK63A	5mm	80mm	15mm	20mm	15mm	546304	325.00
HSK63A	6mm	80mm	21mm	27mm	36mm	546306	325.00
HSK63A	6mm	160mm	21mm	27mm	36mm	546308	465.00
HSK63A	8mm	80mm	21mm	27mm	36mm	546310	325.00
HSK63A	10mm	85mm	24mm	32mm	42mm	546314	325.00
HSK63A	12mm	90mm	24mm	32mm	47mm	546318	325.00
HSK63A	16mm	95mm	27mm	34mm	50mm	546322	325.00
HSK63A	20mm	100mm	33mm	42mm	52mm	546326	325.00
HSK63A	25mm	115mm	44mm	53mm	58mm	546330	325.00
HSK63A	32mm	120mm	44mm	53mm	58mm	546334	325.00

## HSK100A Shrink Fit Holders With Coolant Ports



- Holders are balanceable with a balancing machine
- Balanced G2.5 at 30,000rpm
- 4 Coolant ports in the nose
- For maximum gripping power with exceptional concentricity
- TIR of  $\leq 0.0001'' / 0.003\text{mm}$  with tool shrunk in holder
- AT2 Taper Accuracy
- Tool is gripped 360° along the entire length of bore resulting in an evenly distributed clamping force
- Material: H13 Tool Steel
- The hot hardness (hot strength) of H13 resists thermal fatigue cracking which occurs as a result of cyclic heating and cooling cycles
- RFID chip hole



Taper	Hole Dia. (D1)	Gage Length (A)	D2	D3	L	Code No.	Price \$
<b>Inch</b>							
HSK100A	1/4"	3.35"	0.826"	1.06"	1.42"	546432	370.00
HSK100A	5/16"	3.35"	0.826"	1.06"	1.42"	546436	412.06
HSK100A	3/8"	3.54"	0.94"	1.26"	1.65"	546440	370.00
HSK100A	3/8"	6.30"	0.94"	1.26"	1.65"	546442	522.86
HSK100A	1/2"	3.74"	1.06"	1.34"	1.65"	546444	370.00
HSK100A	1/2"	6.30"	1.06"	1.34"	1.65"	546446	522.86
HSK100A	5/8"	3.94"	1.06"	1.34"	1.97"	546448	370.00
HSK100A	5/8"	6.30"	1.06"	1.34"	1.97"	546450	536.16
HSK100A	3/4"	4.13"	1.30"	1.65"	2.05"	546452	370.00
HSK100A	3/4"	6.30"	1.30"	1.65"	2.05"	546454	512.88
HSK100A	1"	4.53"	1.73"	2.09"	2.28"	546456	370.00
HSK100A	1"	6.30"	1.73"	2.09"	2.28"	546458	512.88
HSK100A	1-1/4"	4.72"	1.73"	2.09"	2.28"	546460	398.17
HSK100A	1-1/4"	6.30"	1.73"	2.09"	2.28"	546462	522.86