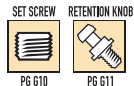
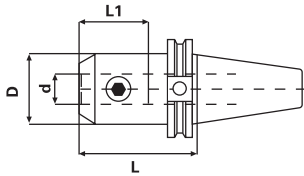
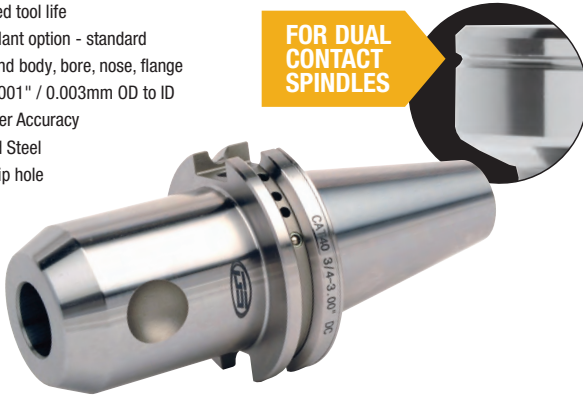


## CAT40 DUAL CONTACT End Mill Holders



- Improves rigidity and reduces vibration allowing for increased feed rates and increased tool life
- DIN coolant option - standard
- All ground body, bore, nose, flange
- TIR, 0.0001" / 0.003mm OD to ID
- AT2 Taper Accuracy
- Certified Steel
- RFID chip hole

FOR DUAL CONTACT SPINDLES



PREMIUM BALANCE  
**G6.3 at 30,000rpm**  
CERTIFICATE INCLUDED

Taper	Hole Dia. (d)	Gauge Length (L)	L1	D	Set Screw	Code No.	Price \$
CT40	1/2	2.50	2.56	1.38	7/16-20	521026	195.50
CT40	1/2	4.00	2.56	1.38	7/16-20	521028	195.50
CT40	1/2	5.00	2.56	1.38	7/16-20	521030	244.38
CT40	5/8	3.00	3.50	1.65	9/16-18	521034	213.39
CT40	5/8	4.00	3.50	1.65	9/16-18	521036	240.79
CT40	5/8	5.50	3.50	1.65	9/16-18	521038	262.26
CT40	3/4	3.00	3.86	1.75	5/8-18	521042	219.34
CT40	3/4	4.00	3.86	1.75	5/8-18	521044	219.34
CT40	3/4	5.50	3.86	1.75	5/8-18	521046	348.08
CT40	1	2.00	2.36	2.36	3/4-16	521054	241.99
CT40	1	4.00	4.21	2.36	3/4-16	521056	241.99
CT40	1	6.00	4.21	2.36	3/4-16	521058	417.22
CT40	1-1/4	2.00*	2.36	2.25	3/4-16	521060‡	246.76
CT40	1-1/4	4.00	3.54	2.48	3/4-16	521062	246.76
CT40	1-1/4	6.00	3.54	2.48	3/4-16	521064	417.22
CT40	1-1/2	4.50	2.95	2.99	3/4-16	521066	268.21

\* Stubby Length

‡ Not DIN Coolant

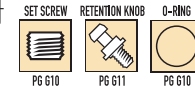
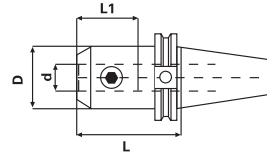
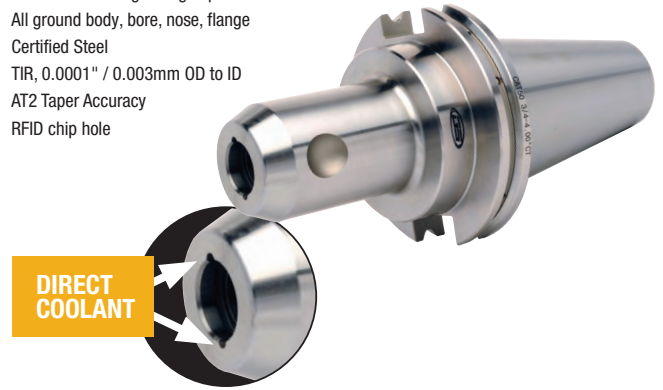
## CAT40 DIRECT COOLANT End Mill Holders



### NOW 3 COOLANT OPTIONS ALL IN ONE!

- Coolant through the spindle and body
- DIN coolant through flange option
- All ground body, bore, nose, flange
- Certified Steel
- TIR, 0.0001" / 0.003mm OD to ID
- AT2 Taper Accuracy
- RFID chip hole

DIRECT COOLANT



PREMIUM BALANCE  
**G6.3 at 30,000rpm**  
CERTIFICATE INCLUDED

Taper	Hole Dia. (d)	Gauge Length (L)	L1	D	Set Screw	Code No.	Price \$
CT40	1/4	1.38*	1.18	0.79	1/4-28	522014	201.95
CT40	1/4	2.50	1.18	0.79	1/4-28	522016	201.95
CT40	1/4	4.00	1.18	0.79	1/4-28	522018	274.65
CT40	5/16	1.38*	1.18	0.87	5/16-24	522022	201.95
CT40	5/16	2.50	1.18	0.87	5/16-24	522024	201.95
CT40	5/16	4.00	1.18	0.87	5/16-24	522026	274.65
CT40	3/8	1.38*	1.57	1.00	3/8-24	522030	201.95
CT40	3/8	2.50	1.57	1.00	3/8-24	522032	201.95
CT40	3/8	4.00	1.57	1.00	3/8-24	522034	274.65
CT40	3/8	5.00	1.57	1.00	3/8-24	522036	316.39
CT40	1/2	1.75*	2.56	1.38	7/16-20	522046	201.95
CT40	1/2	2.50	2.56	1.38	7/16-20	522048	201.95
CT40	1/2	4.00	2.56	1.38	7/16-20	522050	274.65
CT40	1/2	5.00	2.56	1.38	7/16-20	522052	346.01
CT40	5/8	1.75*	2.72	1.65	9/16-18	522056	201.95
CT40	5/8	3.00	2.56	1.65	9/16-18	522058	201.95
CT40	5/8	4.00	2.56	1.65	9/16-18	522060	201.95
CT40	3/4	1.75*	2.56	1.89	5/8-18	522066	201.95
CT40	3/4	3.00	2.56	1.75	5/8-18	522068	201.95
CT40	3/4	4.00	2.56	1.75	5/8-18	522070	274.65
CT40	3/4	5.50	2.56	1.75	5/8-18	522072	346.01
CT40	1	2.00*	2.36	2.25	3/4-16	522080	201.95
CT40	1	4.00	3.54	2.36	3/4-16	522082	201.95
CT40	1-1/4	2.00*	2.44	2.25	3/4-16	522088	201.95
CT40	1-1/4	4.00	3.54	2.48	3/4-16	522090	235.61
CT40	1-1/2	4.50	2.95	2.99	3/4-16	522094	242.35

\* Stubby Length

Spindle Taper Wipers  
Clean spindle holes easily  
and quickly!

See Page G91