

SP Stationary Power Chucks

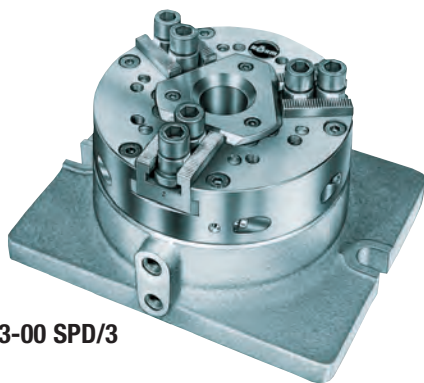
SPD - Through Hole

SPO - Without Through Hole

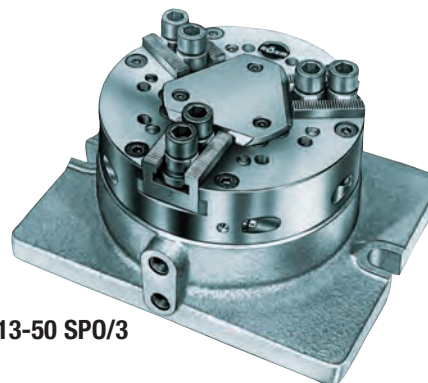
Rohm Power Chucking Fixtures, used as stationary chucks on drilling, milling and special purpose machines, offer many advantages.

Features:

- Quick and efficient chucking
- Concentric gripping of round as well as angular parts
- Universal through use of different jaws
- Ideal for series production
- Suitable for use in automated work cycles
- Gripping force adjustable by changing the pressure
- Oil or air operated



Type 513-00 SPD/3



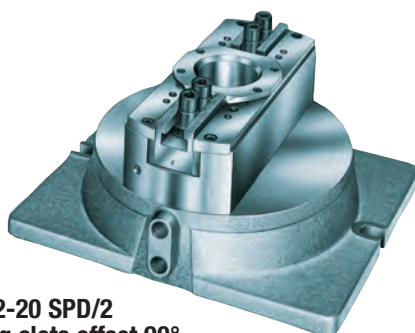
Type 513-50 SPO/3

3-Jaw Stationary Power Chuck With Through Hole

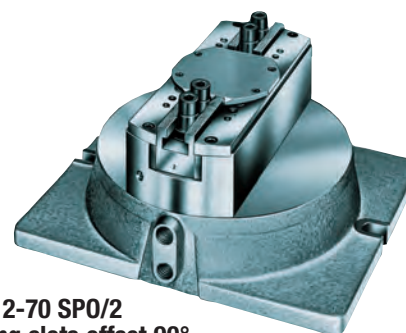
Chuck Size	Rohm Id No.	Code No.	Price \$
160	020926	389828	7,285.48
215	020927	389829	8,414.66
300	020928	389830	15,187.32

3-Jaw Stationary Power Chuck Without Through Hole

Chuck Size	Rohm Id No.	Code No.	Price \$
160	020929	389831	7,285.48
215	020930	389832	8,414.66
300	020931	389833	15,187.32



Type 512-20 SPD/2
Mounting slots offset 90°



Type 512-70 SPO/2
Mounting slots offset 90°

2-Jaw Stationary Power Chuck With Through Hole

Chuck Size	Rohm Id No.	Code No.	Price \$
160	020935	389834	6,505.42
215	020936	389835	7,682.73
300	020937	389836	13,632.00

2-Jaw Stationary Power Chuck Without Through Hole

Chuck Size	Rohm Id No.	Code No.	Price \$
160	020941	389837	6,505.42
215	020942	389838	7,682.73
300	020943	389839	13,632.00

Type 512-00 SPD/2
Mounting slots same direction as jaw guides

Type 512-50 SPO/2
Mounting slots same direction as jaw guides

2-Jaw Stationary Power Chuck With Through Hole

Chuck Size	Rohm Id No.	Code No.	Price \$
160	020932	389840	6,505.42
215	020933	389841	7,682.73
300	020934	389842	13,632.00

2-Jaw Stationary Power Chuck Without Through Hole

Chuck Size	Rohm Id No.	Code No.	Price \$
160	020938	389843	6,505.42
215	020939	389844	7,682.73
300	020940	389845	13,632.00