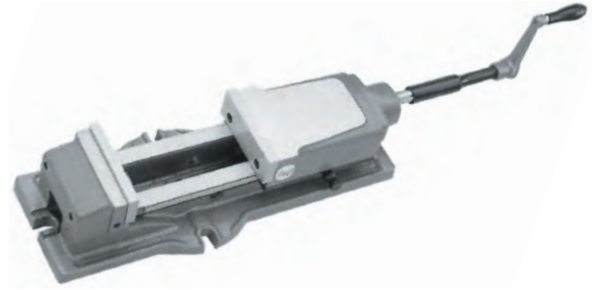
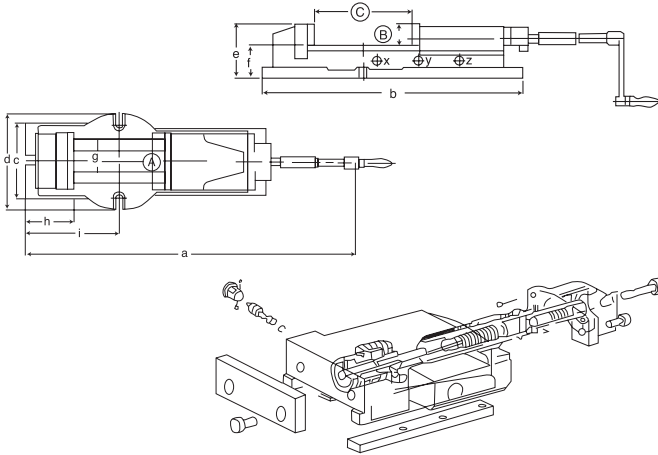




Precision Hydra Power Machine Vises

Hydraulic Booster System

Hydraulic Booster provides a steady clamping force against shocks and vibrations during the operations, since it fastens the work piece resiliently with the aid of the disc-springs mounted inside. (see fig. A)



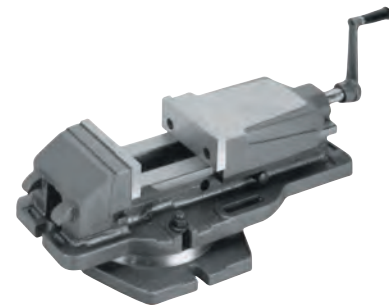
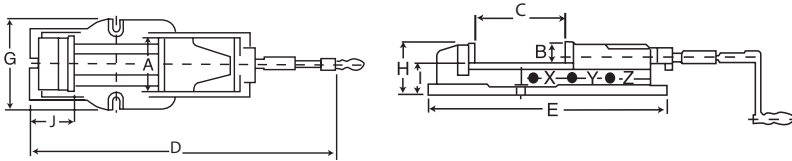
Seal Kits

Vise Model	Code No.	Price \$
HP-40	327201	77.87
HP-50	327211	90.88
HP-60	327221	85.79
HP-80	327231	106.80

Model No.	A	B	C	a	b	c	d	e	f	g	h	i	Clamp Force	Wt. (kg) Plain	Plain Base Code No.	Price \$	Wt (kg) with Swivel Base	With Swivel Base Code No.	Price \$
HP-40	100	36	170	525	430	130	160	94	60	78	100	155	2500kg	16	327200	1,844.26	22	327205	1,987.76
HP-50	125	46	220	670	540	165	185	118	72	97	117	185	3500kg	32	327210	1,875.01	42	327215	2,192.59
HP-60	150	51	300	800	620	200	240	133	82	116	125	247	4400kg	54	327220	1,946.59	70	327225	2,264.29
HP-80	200	62	300	900	700	240	280	162	100	160	165	266	6600kg	95	327230	3,606.53	125	327235	4,057.23

Hydraulic Machine Vises

- Ruggedly constructed for milling, drilling, shaping, grinding and many other machine shop applications
- Body is made of high quality ductile cast iron, resists deflection or bending

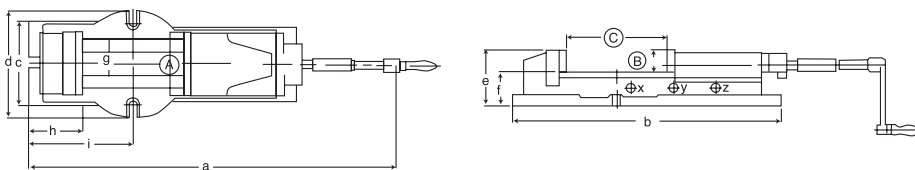


Model No.	A	B	C	D	E	G	H	I	J	Clamp Force	G.W. (kg)	Plain Base Code No.	Price \$	Wt (kg) with Swivel Base	With Swivel Base Code No.	Price \$
HP-40G	100	36	170	525	430	160	94	60	78	2500kg	22	329205	1,459.80	26	329200	2,121.81
HP-50G	127	46	220	670	540	185	118	72	97	4500kg	45	329215	1,544.37	52	329210	1,867.46
HP-60G	150	51	300	800	620	240	133	82	116	6000kg	64	329225	1,662.62	74	329220	2,062.95
HP-80G	200	65	300	800	710	280	158	100	161	8500kg	109	329235	3,296.66	125	329230	4,061.94

Mechanical Power Machine Vises

Mechanical Power Booster System

The Ball-Design mechanical booster provides steady clamping forces against shocks and vibrations. It helps vises clamp workpieces resiliently, during operations, with an aid of the inside-mounted disc-spring.



Model No.	A	B	C	a	b	c	d	e	f	g	h	i	Clamp Force	Wt. (kg) Plain	Plain Base Code No.	Price \$	Wt (kg) Swivel Base	Swivel Base Code No.	Price \$
HP-60 II	150	51	300	800	620	200	240	133	82	116	125	247	4400	54	327240	1,946.59	16	327245	246.00