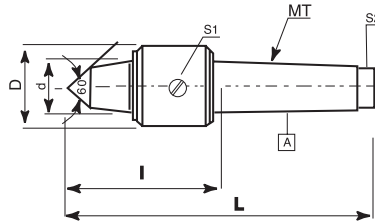


Skoda Precision CNC Silver Line Live Centres — CSN 243327-II

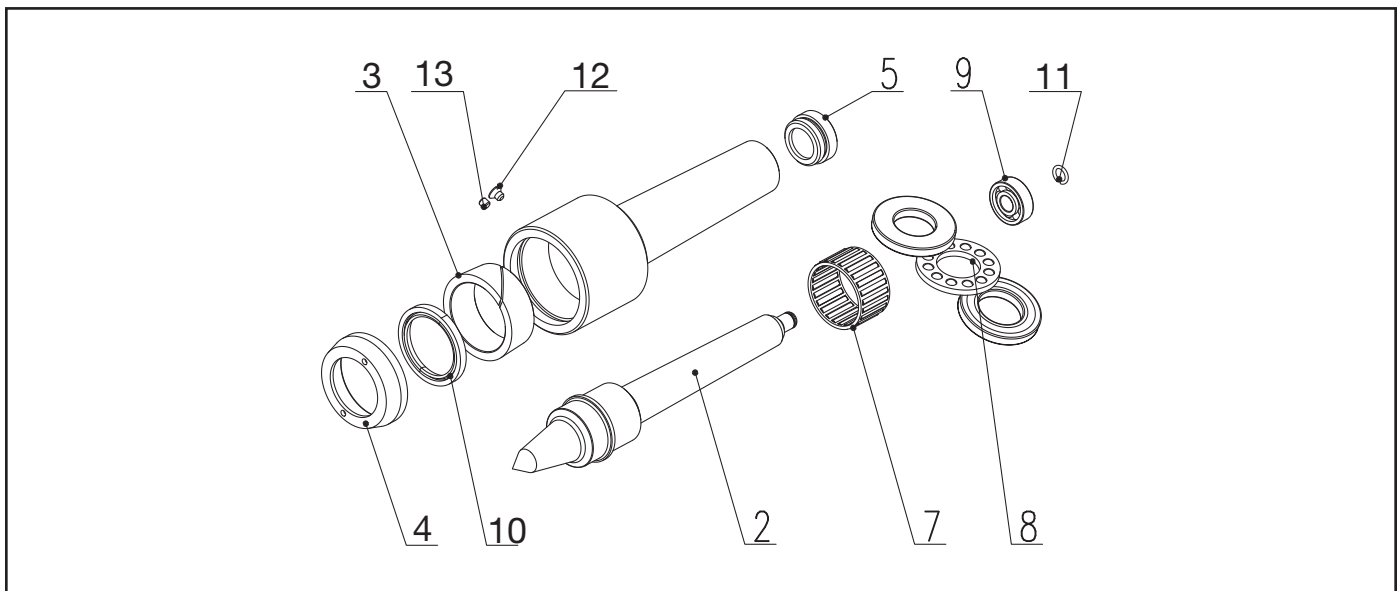


- The centres are intended for NC lathes. Their face parts are formed to allow easy access of the tool to the workpiece, which is an advantage with workpieces of complex shapes
- A special ring is used to set the radial clearance of the centre. It also prevents cutting lubricant from leaking into the centre bearing space, and so extends the centre's operational life
- Spindle-like point extends into shank where it is supported by a needle bearing, increasing rigidity, reducing point deflection and dampening vibration



Morse Taper	D (in.)	d (in.)	L (in.)	l (in.)	Maximum RPM	Load (lb)	Code No.	Price \$
2	1.5	0.695	5.25	2.65	6,000	594	310010	613.96
3	1.85	0.750	6.75	3.50	5,000	704	310015	648.38
4	2.20	1.125	8.15	3.95	4,000	2200	310020	753.36
5	3.10	1.375	10.50	4.85	3,500	3520	310025	948.58

SPARE PARTS FOR CNC LIVE CENTRES



Spare Parts For CNC Live Centres



Parts No.	Description	Code No.	Price \$
MT 2-02	Point	310855	540.55
2-03	Ring	310857	134.78
2-05	End Plug	310858	22.60
2-07	Needle Bearing	310860	90.22
2-08	Thrust Bearing	310861	105.49
2-09	Radial Bearing	310862	180.44
2-11	Snap Ring	310865	22.13
2-12	Countersink Screw	310863	2.87
2-13	Lock Screw	310864	2.54
MT 3-02	Point	310869	928.91
3-03	Ring	310871	140.83
3-05	End Plug	310872	23.34
3-07	Needle Bearing	310874	136.99
3-08	Thrust Bearing	310875	121.72
3-09	Radial Bearing	310876	180.90
3-11	Snap Ring	310879	18.29
3-12	Countersink Screw	310877	3.99
3-13	Lock Screw	310878	3.00

Spare Parts For CNC Live Centres



Parts No.	Description	Code No.	Price \$
MT 4-02	Point	310882	1,021.11
4-03	Ring	310884	168.36
4-05	End Plug	310885	24.50
4-07	Needle Bearing	310887	155.45
4-08	Thrust Bearing	310888	136.99
4-09	Radial Bearing	310889	199.84
4-11	Snap Ring	310892	28.36
4-12	Countersink Screw	310890	4.03
4-13	Lock Screw	310891	3.00
MT 5-02	Point	310895	1,304.32
5-03	Ring	310897	157.76
5-05	End Plug	310898	25.68
5-07	Needle Bearing	310900	189.66
5-08	Thrust Bearing	310901	164.54
5-09	Radial Bearing	310902	291.65
5-11	Snap Ring	310905	36.11
5-12	Countersink Screw	310903	3.99
5-13	Lock Screw	310904	3.00