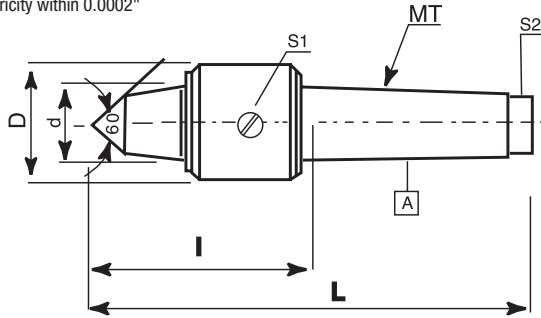


Skoda Extended Point Silver Line Live Centres — CSN 243328



- Designed to keep dust, chips and coolant from coming inside the bearings
- Hardened and ground to 61-65 Rockwell
- Concentricity within 0.0002"



Morse Taper	D (in.)	d (in.)	L (in.)	I (in.)	Maximum RPM	Load (lb)	Weight (lb)	Point Angle	Code No.	Price \$
2	1.417	0.866	5.059	2.560	6,000	594	0.79	60°	310160	355.17
3	1.850	1.181	6.575	3.386	5,000	704	1.85	60°	310165	421.90
4	2.165	1.378	8.169	4.094	4,000	2200	3.19	60°	310170	530.66
5	2.736	1.772	10.197	5.078	3,500	3960	7.04	60°	310175	694.52
6	3.504	2.362	13.425	6.319	2,500	7040	17.05	60°	310180	1,553.87

Extended Points



Morse Taper	Code No.	Price \$
2	310200	271.54
3	310300	300.58
4	310400	396.54
5	310500	540.17
6	310600	904.01

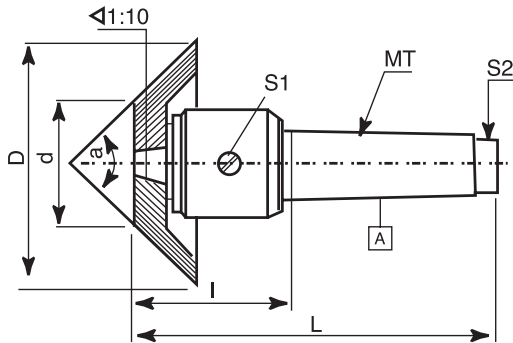


Skoda Heavy Duty Bull Nose Silver Line Live Centres — CSN 243319



Designed to hold pipe and hollow work. Pipe head can be used as an all-round centre for light work. Two matched angular contact bearings preloaded at the factory. This achieves good thrust and radial capacities. Bearings are protected by a combination steel shield and neoprene seal.

- Accuracy: $\pm 0.0001''$



Morse Taper	a	D (in.)	d (in.)	L (in.)	I (in.)	Maximum RPM	Load (lb)	Weight (lb)	Code No.	Price \$
3	60°	3.150	1.378	6.380	3.189	5,000	880	4.62	310140	1,275.80
4	60°	4.527	1.732	7.637	3.622	4,000	2860	9.68	310145	2,054.96
5	60°	5.314	1.811	9.449	4.331	3,500	4400	17.60	310150	2,908.41
6	60°	6.693	2.520	12.125	4.961	2,500	8800	51.70	310155	7,888.66