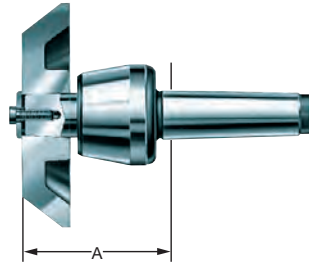


## Revolving Centering Tapers Type 608-00



- Revolving tailstock centre
- See adjacent chart for insert attachments (AZ-75° & AZR-75°)

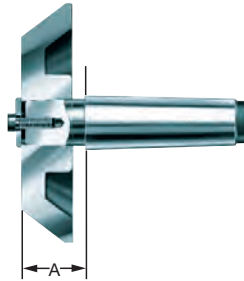


Morse Taper	Rohm Id No.	Max. Workpiece Weight (kg)	A (mm)	Code No.	Price \$
4	304562	800	103	393045	956.26
5	304563	1600	128	393050	1,381.87
6	304564	3000	159	393055	2,753.10

## Fixed Shaft Centering Tapers Type 698-00



- Fixed shaft
- See adjacent for insert attachments (AZ-75° & AZR-75°)



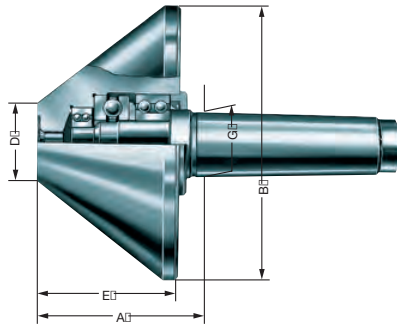
Morse Taper	Rohm Id No.	Max. Workpiece Weight (kg)	A (mm)	Code No.	Price \$
4	304580*	2000	45	393060	319.20
5	304581*	4800	60	393070	461.50
6	304582*	12000	70	393080	924.34

\* Including fixing screw and washer, without insert

## Revolving Tailstock Centres 60° Type 617

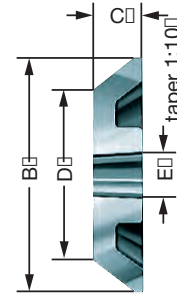
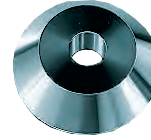


- Revolving tailstock centre



Morse Tape	Rohm Id No.	Max Workpiece Weight kg	Max Concentricity Error (mm)	A (mm)	B (mm)	D (mm)	E (mm)	Code No.	Price \$
1	301615	100	0.008	64	50	20	52	393235	404.63
2	301616	200	0.008	65	50	20	52	393240	651.70
2	301556	300	0.008	77	80	30	64	393245	718.19
3	301557	400	0.008	77	80	30	64	393250	751.44
4	301558	400	0.008	78.5	80	30	64	393255	790.03
3	221605	600	0.008	96.5	120	30	83	393260	941.64
4	044023	800	0.008	98	120	30	83	393265	985.52
5	090483	800	0.008	99	120	30	83	393270	1,175.00

## Insert Attachments Type AZ-75°



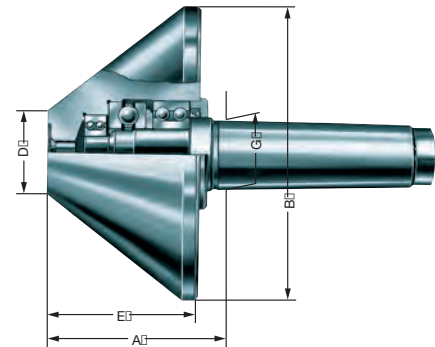
Size of Insert	For M.T.	Rohm Id No.	B (mm)	C (mm)	D (mm)	E (mm)	Code No.	Price \$
1	4	*304565	60	68	5	32	393090	359.10
2	4	304566	100	45	45	32	393095	538.66
3	4	304567	150	45	95	32	393100	804.64
4	4	304568	200	45	145	32	393105	1,214.29
5	4	304569	250	45	195	32	393110	1,830.07
1	5	304570	100	43	45	40	393135	646.39
2	5	304571	150	43	95	40	393140	969.57
3	5	304572	200	43	145	40	393145	1,455.03
4	5	304573	250	43	195	40	393150	2,199.82
5	5	304574	300	43	245	40	393155	3,263.82
1	6	304575	150	54	95	50	393185	1,165.09
2	6	304576	200	54	145	50	393190	1,747.62
3	6	304577	250	54	195	50	393195	2,621.43
4	6	304578	300	54	245	50	393200	3,923.50
5	6	304579	350	54	295	50	393205	5,883.93

\* Without fixing screw and washer

## Revolving Tailstock Centres 75° Type 618



- Revolving tailstock centre



Morse Taper	Rohm Id No.	Max Workpiece Weight kg	Max Concentricity Error (mm)	A (mm)	B (mm)	D (mm)	E (mm)	Code No.	Price \$
2	301559	300	0.008	80	80	20	67	393275	718.19
3	301560	400	0.008	80	80	20	67	393280	751.44
4	301561	400	0.008	81.5	80	20	67	393285	790.03
3	062211	600	0.008	85.5	120	30	72	393290	941.64
4	062224	800	0.008	87	120	30	72	393295	985.52
5	062232	800	0.008	88	120	30	72	393300	1,181.05
4	062299	1200	0.01	107	170	50	90	393305	1,979.05
5	063614	1600	0.01	106	170	50	90	393310	2,358.08
6	063633	1600	0.01	107.5	170	50	90	393315	2,358.08
5	063662	2000	0.01	146.5	250	75	130	393320	4,732.14
6	063656	2000	0.01	148	250	75	130	393325	4,732.14
6	063680	4000	0.015	184	350	120	168	393330	9,481.57