



## 3-Jaw Cast Iron Body Large Through Hole Scroll Chucks

### Features:

- Cast Iron body
- Chucks may work individually or in pairs, mounted on opposite sides of the lathe spindle, ensuring the same vertical position of the jaws in both chucks
- Large through hole compared to the outside diameter of the chuck body
- Able to machine very long workpieces

### Application:

- Designed for gripping long pipes during machining for conventional and specialized machine-tools



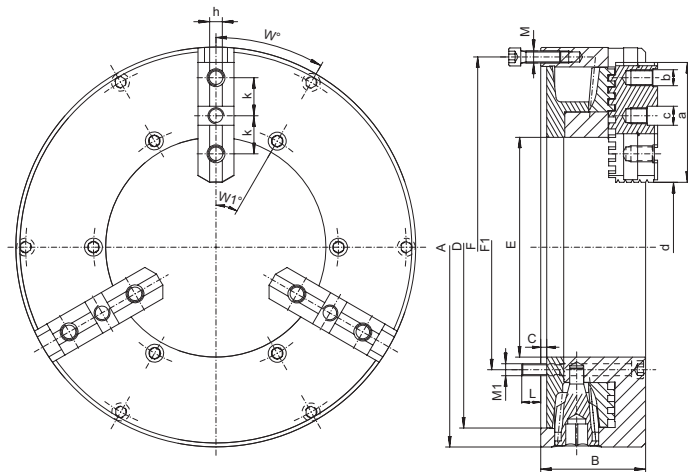
**ADAPTER PLATES**  
Pages: H58-59

4-Jaw Independent large through hole chucks also available. See page: H68

Mounting 3295 Plain Back	Chuck Size	16"	20"	26"	32"
		Hole Size	8.661	12.598	15.984
Weight lbs.	127	167	284	467	
Code No.	435530	435535	435540	435545	
Price \$	5,609.58	8,274.85	13,635.07	27,757.32	

Spare Parts - See Pages: H35					
Standard Accessories		1 set of hard master jaws		1 wrench	Optional Accessories
		1 set of soft top jaws			
Engineering Data See Pages: H62-66					

## Specifications



Chuck Size	16"	20"	26"	32"
A	15.7480	20.000	25.9843	31.4961
B	4.1339	4.7244	5.3150	5.9449
C	0.2362	0.3150	0.5512	0.2756
D	14.2520	18.1890	22.8346	27.9528
E	8.6614	12.5984	15.9843	16.1417
F	15.0000	18.9567	24.4094	-
F1	-	-	-	18.1102
M	6xM12	6xM16	6xM16	-
M1	-	-	-	6xM24
W	30°	30°	30°	-
W1	-	-	-	30°
L	-	-	-	0.9843
a	4.7244	4.7244	5.000	8.8583
b	M16	M20	M20	M20
c	0.7496	0.7496	0.7496	0.7496
h	0.5000	0.5000	0.5000	0.5000
d min.	6.6142	9.8425	14.8031	10.2362
d max.	11.3386	14.9606	19.5669	22.2835
Max Speed rpm	500	350	250	200
Approx weight lbs	127	167	284	467

Prices in this catalogue are subject to change without notice. If there is a discrepancy between a product price listed in this catalogue and that listed on [www.sowatool.com](http://www.sowatool.com), the price on our website will take precedence.

Images are representational only and may not reflect actual product.