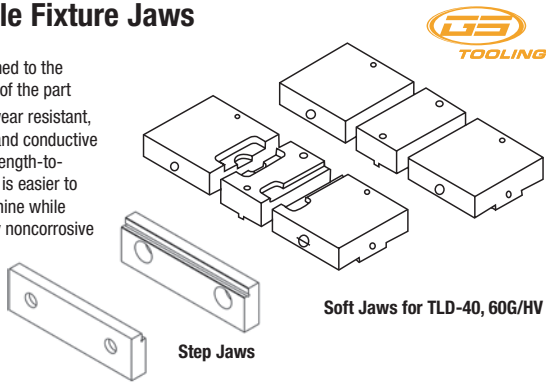


# Workholding, Clamping & Fixturing

## Machinable Fixture Jaws

- Can be machined to the precise shape of the part
- Aluminum is wear resistant, nonmagnetic and conductive with a high strength-to-weight ratio. It is easier to form and machine while being naturally noncorrosive



Soft Jaws for TLD-40, 60G/HV

Step Jaws

Description	Code No.	Price \$
4" aluminum soft jaws	382612	737.75
4" step jaws	382614	332.41
6" aluminum soft jaws (10mm key)	382602	1,127.27
6" aluminum soft jaws (14mm key)	382609	1,127.27
6" step jaws	382604	381.48

## Steel Jaw Plate Set

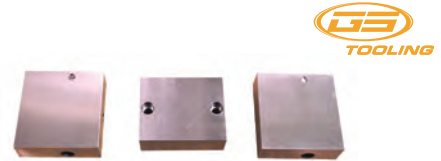
Steel offers high tensile strength and corrosion resistance.



Description	Code No.	Price \$
6" steel jaw plate set (4pcs) for TLD60	382617	377.05

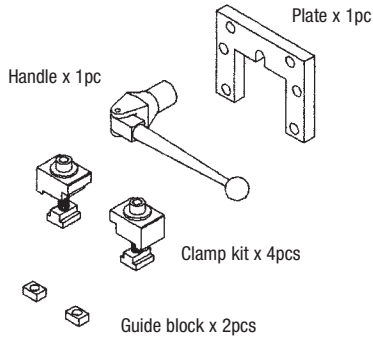
## Steel Jaw Sets

Steel offers high tensile strength and corrosion resistance.

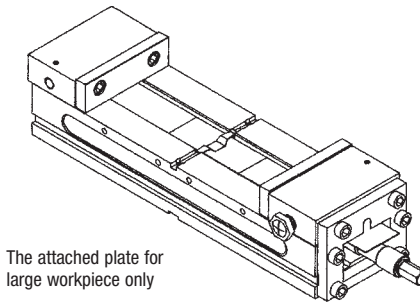


Description	Code No.	Price \$
4" steel jaw set for TLD40	382615	448.76
6" steel jaw set for TLD60	382605	568.75

## Standard Accessories

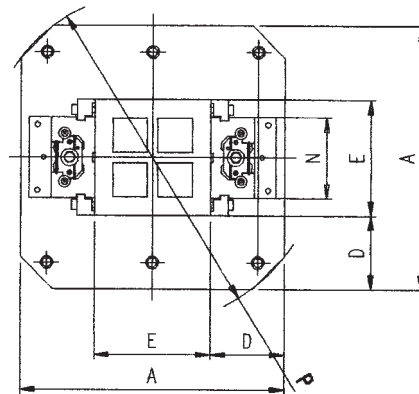
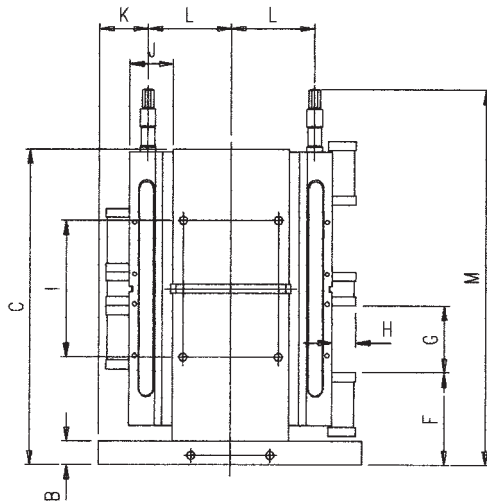
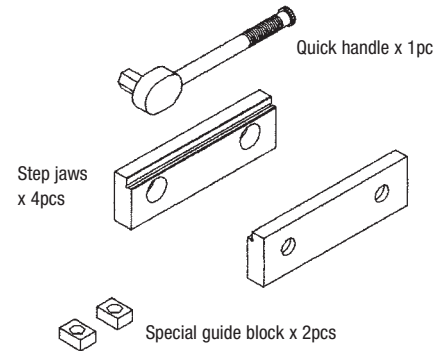


## Usage of "Plate"



The attached plate for large workpiece only

## Optional Accessories



## Jig Block Dimensional Specifications

(mm/in.)

Model NO.	Use Vise	Pallet Size	A	B	C	D	E	F	G	H	I	J	K	L	M	N	P	Weight (kg/lb)
GS-40-4C	TLD-40	400 x 400	400	40	500	110	180	168	90	38	203	63.5	75.5	124.5	543	104	506	118
GS-40-4C	TLD-40	400 x 400	15.74	1.57	19.68	4.33	7.08	6.61	3.54	1.49	7.99	2.5	2.907	4.90	21.3	4.09	19.92	259.6
GS-60-4C	TLD-60	500 x 500	500	45	600	140	220	175	125	44.5	260	82.5	92	158	714	154	628	233
GS-60-4C	TLD-60	500 x 500	19.68	1.77	23.62	5.51	8.66	6.88	4.92	1.75	10.23	3.25	3.62	6.25	28.11	6.02	24.72	512.6