

3-Jaw Plain Back Cast Iron Body Scroll Chucks — 2pc Hard Rev. Jaws



Features:

- 3-Jaw, self-centering scroll chuck with manual gripping and a high quality cast iron body
- Smart design, allowing inner parts to be replaced quickly
- Mounted on the machine-tool spindle from the back of the chuck, using the adapter plate

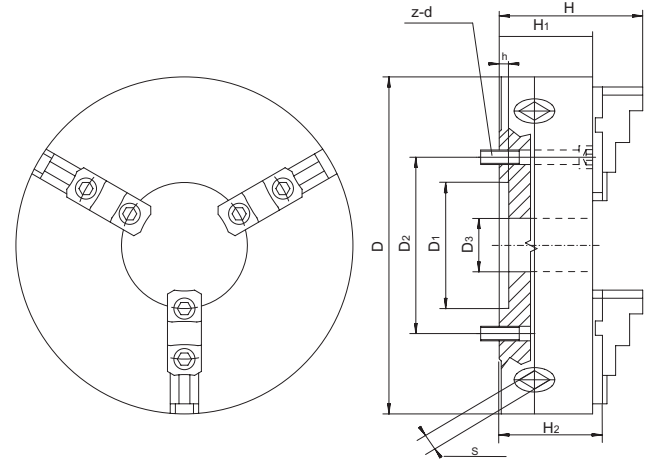
Application:

- This chuck is designed for all types of workshop machining operations on conventional lathes and milling fixtures

Replacement parts not available

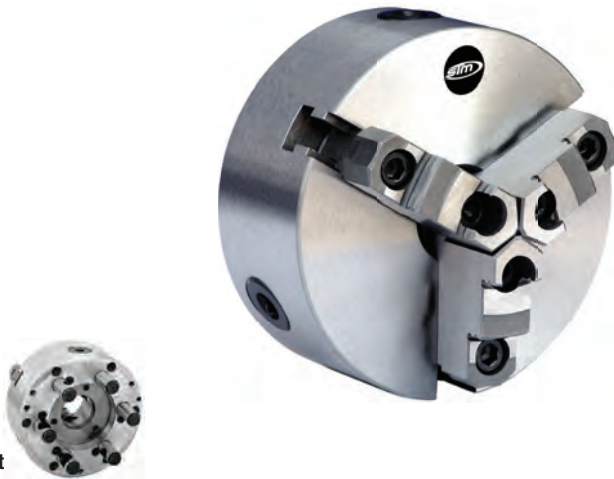


Plain Back

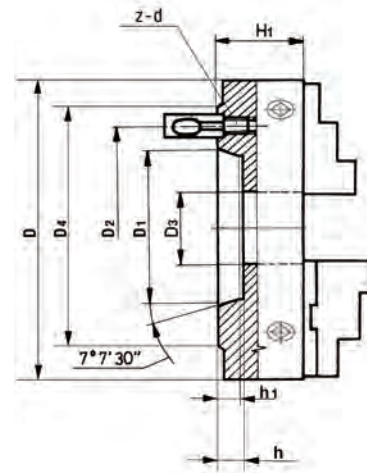


Chuck Size D (in.)	D1 (in.)	D2 (in.)	D3 (in.)	H (in.)	H1 (in.)	H2 (in.)	h (in.)	S (in.)	z-d	Max. Input Torque (ft/lbs)	Max Speed (r/min.)	Weight (lbs.)	Code No.	Price \$
6	5.118	5.591	1.575	4.291	2.559	2.795	0.197	0.394	3-M8	118.02	2,500	18.26	4440710	380.05
8	6.496	7.087	2.559	4.803	2.953	3.150	0.197	0.472	3-M10	184.40	2,000	31.02	4440715	498.79
10	8.110	8.898	3.150	5.354	3.150	3.386	0.197	0.472	3-M12	236.03	1,600	50.60	4440720	662.12
12	10.236	11.220	3.937	6.024	3.543	3.740	0.236	0.551	3-M16	295.04	1,200	90.20	4440725	1,196.53
16	13.386	14.488	5.433	6.772	3.937	4.252	0.236	0.669	3-M16	368.80	1,000	156.20	4440730	1,541.46

3-Jaw Camlock Mount Cast Iron Body Scroll Chucks — 2pc Hard Rev. Jaws



Camlock Mount



Chuck Size D (in.)	D1 (in.)	D2 (in.)	D3 (in.)	D4 (in.)	H1 (in.)	h (in.)	h1 (in.)	z-d	Max. Input Torque (ft/lbs)	Max Speed (r/min.)	Weight (lbs.)	Code No.	Price \$
6 D1-4	2.501	3.252	1.575	4.606	2.756	0.512	0.394	3-M10x1	118.02	2500	22.00	4440910	526.85
8 D1-4	2.501	3.252	1.969	4.606	3.386	0.512	0.394	3-M10x1	184.40	2000	37.40	4440920	749.19
8 D1-6	4.188	5.252	1.969	7.126	3.386	0.630	0.512	6-M16x1.5	184.40	2000	37.40	4440930	711.55
10 D1-6	4.188	5.252	2.756	7.126	3.858	0.630	0.512	6-M16x1.5	236.03	1600	70.40	4440940	872.83
12 D1-8	5.501	6.748	4.134	8.858	4.075	0.709	0.551	6-M20x1.5	295.04	1200	112.20	4440950	2,076.81