

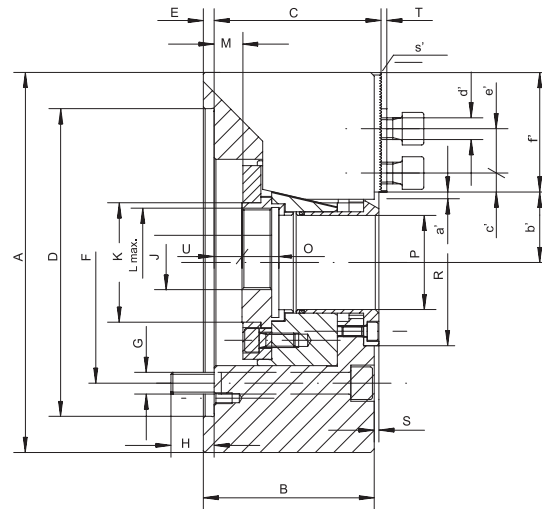
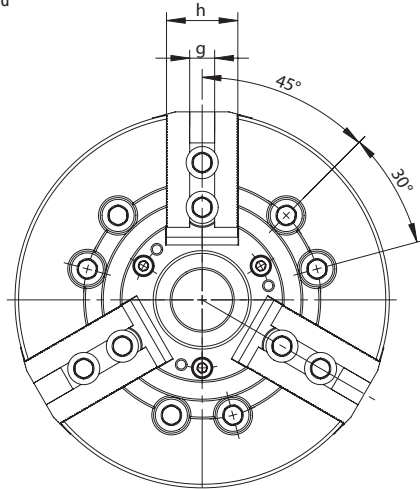
Workholding, Clamping & Fixturing

Bison 2405-K Power Chucks With 1.5mm x 60° Serrations



Standard Accessories:

- Chuck and jaw mounting bolts
- Reversible top jaws hardened and ground
- T-nuts
- Blank draw bar nut
- Key for chuck installation
- Eye bolt



Size (mm)	160	200	250	315
Size (inch)	6	8	10	12
Code No.	468104	468116	468124	468129
Price \$	3,918.23	4,861.18	6,779.05	9,097.67
A	169	210	254	315
B	81	95	106	108
C	79	93	104	106
D (H4)	140	170	220	220
E	6	6	6	6
F	104.8	133.4	171.4	171.4
G	6xM10	6xM12	6xM16	6xM16
H	13.5	18	28	-
J	M27x2	M36x2	M50x2	M56x2
K	60	94	140	-
L max.	M55x2	M60x2	M85x2	M100x2
M max. (Wedge stroke)	16	22.5	27	27
O	19	20.5	25	28
P (Through hole)	45	52	75	91
R	70	92	117	134
S	2.6	2.6	2.6	0.6
T	2.4	3.40	3.40	2.90
U min.	-5.0	-8.0	-18.5	-19.0
U max.	11.0	14.5	8.5	8.0
a (Jaw stroke)	3.5	5.0	6.0	6.0
b min.	30.2	35.5	47.9	56.9
b max.	33.7	40.5	53.9	62.9
c min.	9.0	10.5	11.7	13.2
c max.	25.5	33	41.7	60
d	M10	M12	M12	M16
e	20	25	30	30
f	51	64.5	73	94
g (H7)	12	14	16	21
h	38	40	45	52
s	1.5x60°	1.5x60°	1.5x60°	1.5x60°
Max. draw bar pull (daN)	2200	3400	4300	5600
Max. total gripping force (daN)	5700	8600	11100	14400
Max. speed (rpm)	6000	5000	4200	3300
Moment of inertia (kgm ²)	0.057	0.15	0.31	0.73
Weight without top jaws (kg)	12	22	35	56.5