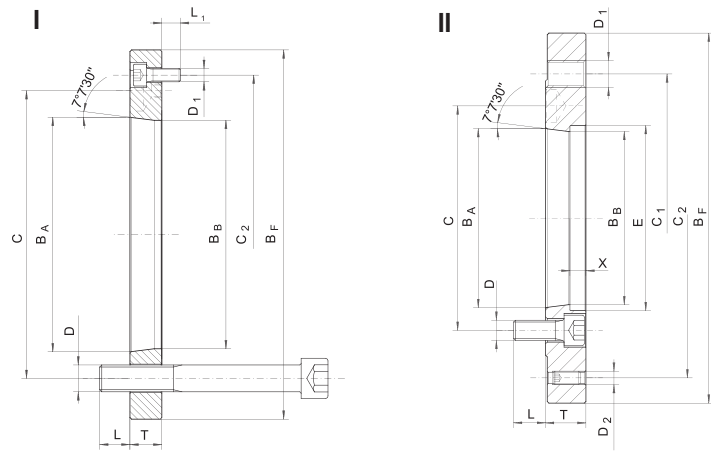
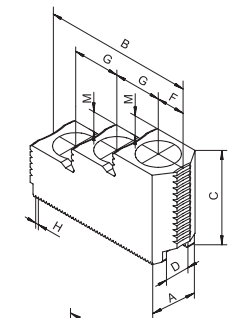


## Adapters For 2405-K Power Chucks



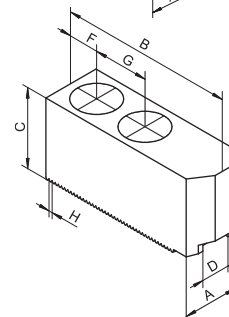
Type	160-A5	200-A6	250-A6	250-A8	315-A6	315-A8
Code No.	468952	468956	468958	468960	468962	468964
Price \$	709.72	792.35	968.20	786.19	968.20	968.20
Spindle Nose	A5	A6	A6	A8	A6	A8
Drawing No.	I	I	II	I	II	I
BF	140	170	220	220	220	220
BA	82.563	106.375	106.375	139.719	106.375	139.719
BB	79.5	103	103	136.1	103	136.1
C	104.8	133.4	133.4	171.4	133.4	171.4
C1	-	-	171.4	-	171.4	-
C2	116	150	190	190	190	190
D	6xM10	6xM12	6xM12	6xM16	6xM12	6xM16
D1	3xM6	3xM6	6xM16	3xM8	6xM16	3xM8
D2	-	-	3xM8	-	3xM8	-
E	-	-	110	-	110	-
L	13.5	19.5	19	20	18	20
L1	8	7	-	12	-	12
T	15	17	25	18	30	18
X	-	-	10.5	-	15.5	-
Weight (kg)	1.5	2.3	5.2	4.2	6.2	4.2



### 2405-K Hard Top Jaws



Size	A	B	C	D H7	F	G	H	M	Screw	Weight kg	Code No.	Price \$
160	32	64	43	12	12.5	20	1.5 x 60	10	M10	0.31	468205	757.54
200	35	79	49	14	14.5	25	1.5 x 60	12	M12	0.56	468210	827.74
250	40	102	54	16	19	30	1.5 x 60	14	M12	1.02	468215	792.84
315	45	102	58	21	21	30	1.5 x 60	14	M16	1.08	468220	905.84

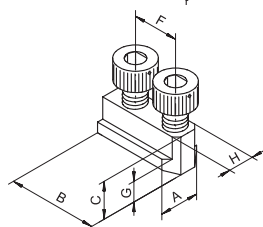


### 2405-K Soft Top Jaws



Size	A	B	C	D H7	F	G	H	Screw	Weight kg	Code No.	Price \$
160	26	66	28	12	12	20	1.5 x 60	M10	0.265	468305	341.13
200	35	95	38	14	24	25	1.5 x 60	M12	0.776	468310	370.73
250	40	110	42	16	30	30	1.5 x 60	M12	1.194	468315	394.09
315	50	111	50	21	21	30	1.5 x 60	M16	1.750	468320	465.43

Note: Other sizes available from stock - please call



### 2405-K T-Nuts



Size	A	B	C	F	G	H h6	Screw	Weight kg	Code No.	Price \$
160	17.5	36	18.5	20	7.5	12	M10 x 20	0.039	468405	44.12
200	20.5	46.5	20.5	25	8.5	14	M12 x 25	0.091	468410	52.58
250	22.5	51	21.5	30	8.5	16	M12 x 30	0.121	468415	63.15
315	29	55.5	27	30	10.5	21	M16 x 30	0.209	468420	67.14