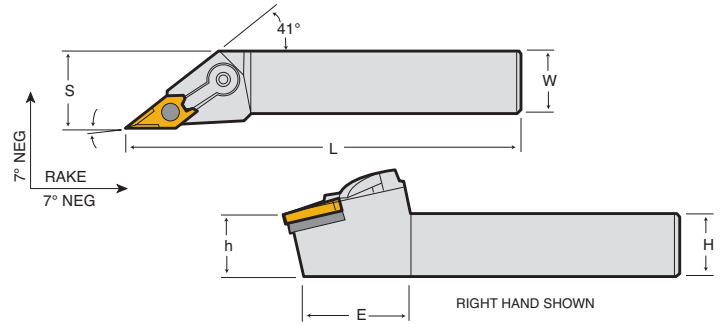




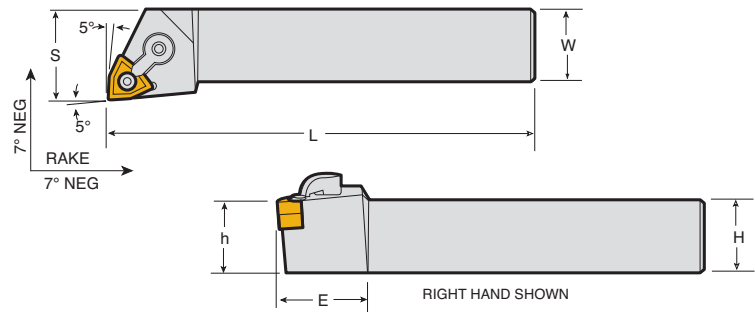
MVJNR/L



Ref	Holder Style		Code #		Application						Inserts				Parts			
Comment	J Style, Approach Angle 93°				Turning, Copying						Parts							
MVJNR/L	Code #		Code #		H	W	L	S	h	E	Insert	Clamp	Clamp Screw	Shim	Pin			
	Right	Price \$	Left	Price \$														
12-3C	147265	102.89	147417	102.89	0.750	0.750	5.000	1.000	0.750	1.660	VN□□33□	CL-30 147214 \$ 12.99	XNS-59 146921 \$ 1.75	IVSN-322 146983 \$ 6.23	NL-34L 146911 \$ 3.93			
16-3D	145893	175.29	145738	175.29	1.000	1.000	6.000	1.250	1.000	1.660	VN□□33□	CL-30 147214 \$ 12.99	XNS-59 146921 \$ 1.75	IVSN-322 146983 \$ 6.23	NL-34L 146911 \$ 3.93			
20-4D	147226	124.77	147225	122.27	1.250	1.250	6.000	1.500	1.250	2.000	VN□□43□	CL-30 147214 \$ 12.99	XNS-510 146920 \$ 1.75	IVSN-433 148287 \$ 8.32	NL-46 146912 \$ 3.63			

► P. E29, E38

MWLNLR/L



Ref	Holder Style		Code #		Application						Inserts				Parts			
Comment	L Style, Approach Angle 95°				Turning, Facing						Parts							
MWLNLR/L	Code #		Code #		H	W	L	S	h	E	Insert	Clamp	Clamp Screw	Shim	Pin			
	Right	Price \$	Left	Price \$														
12-3B	145744	108.20	147148	133.40	0.750	0.750	4.500	1.000	0.750	1.000	WN□□33□	CL-6 146915 \$ 7.35	XNS-36 146919 \$ 1.66	IWSN-322 147139 \$ 15.12	NL-34L 146911 \$ 3.93			
12-4B	145875	144.84	145876	144.84	0.750	0.750	4.500	1.000	0.750	1.250	WN□□33□	CL-20 146918 \$ 7.35	XNS-48 146922 \$ 1.66	IWSN-432 146906 \$ 11.45	NL-46 146912 \$ 3.63			
16-4D	145808	119.15	145809	159.51	1.000	1.000	6.000	1.250	1.000	1.250	WN□□43□	CL-20 146918 \$ 7.35	XNS-48 146922 \$ 1.66	IWSN-432 146906 \$ 11.45	NL-46 146912 \$ 3.63			
20-4D	145810	191.48	145811	196.13	1.250	1.250	6.000	1.500	1.250	1.250	WN□□43□	CL-20 146918 \$ 7.35	XNS-48 146922 \$ 1.66	IWSN-432 146906 \$ 11.45	NL-46 146912 \$ 3.63			

► P. E31-33