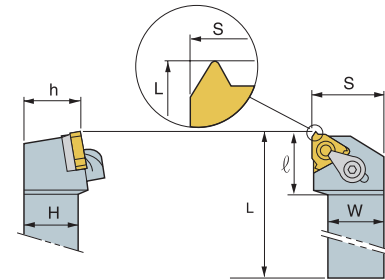
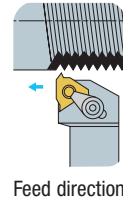
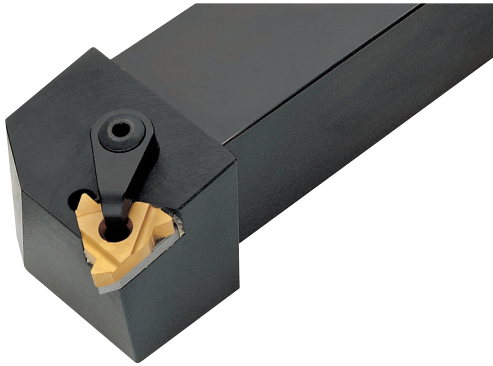


External Threading Holders

ETH3

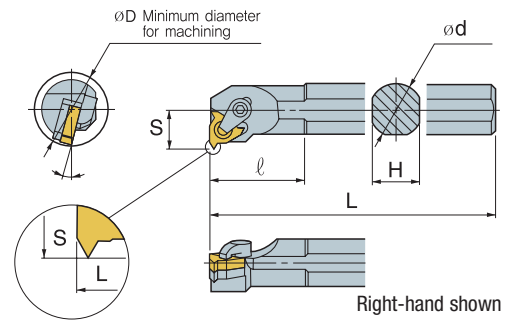
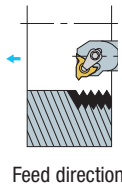


Ref	Holder Style	Application							Inserts	Parts						
Comment		External Threading														
ETH3	Code #	Price \$	H=(h)	W	L	S	ℓ	(inch)		Clamp	Clamp Screw	Shim	Screw	C Ring	Wrench	
3/4"	146708	169.87	0.750	0.750	6.000	1.205	1.100			CH5R3 146474 \$ 32.07	CHX0513 146475 \$ 18.01	ST32C1 146476 \$ 14.27	SHX0310 146155 \$ 8.64	CR04 146477 \$ 3.02	HW20L 146954 \$ 2.41	
1"	146290	110.51	1.000	1.000	6.000	1.205	1.100		ECTR							

➤ P. E88

Internal Threading Holders

ITH3



Ref	Holder Style	Application							Inserts	Parts						
Comment		Internal Threading														
ITH3	Code #	Price \$	øD	ød	H	L	ℓ	S	(inch)		Clamp	Clamp Screw	Shim	Screw	C Ring	Wrench
3/4"	146255	150.47	0.950	0.750	0.625	7.00	2.00	0.520			CH5R3 146474 \$ 32.07	CHX0513 146475 \$ 18.01	ST32C1 146476 \$ 14.27	SHX0310 146155 \$ 8.64	CR04 146477 \$ 3.02	HW20L 146954 \$ 2.41
1"	146254	178.83	1.150	1.000	0.750	8.00	2.50	0.650		ICTR						
1.25"	146256	237.36	1.460	1.250	1.250	10.00	2.50	0.780								

➤ P. E88