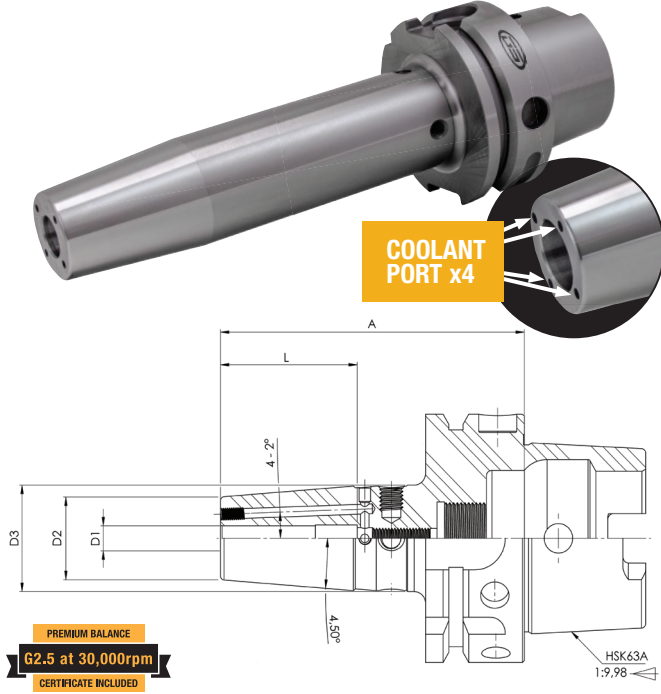


HSK63A Shrink Fit Holders With Coolant Ports



- Holders are balanceable with a balancing machine
- Balanced G2.5 at 30,000rpm
- 4 Coolant ports in the nose
- For maximum gripping power with exceptional concentricity
- TIR of $\leq 0.0001'' / 0.003\text{mm}$ with tool shrunk in holder
- AT2 Taper Accuracy
- Tool is gripped 360° along the entire length of bore resulting in an evenly distributed clamping force
- Material: H13 Tool Steel
- The hot hardness (hot strength) of H13 resists thermal fatigue cracking which occurs as a result of cyclic heating and cooling cycles
- RFID chip hole

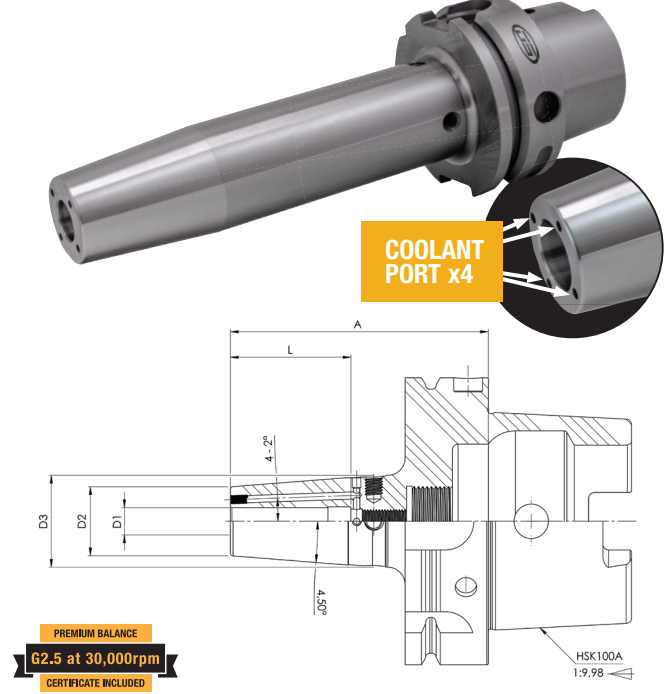


| Taper | Hole Dia. (D1) | Gage Length (A) | D2 | D3 | L | Code No. | Price \$ |
|---------------|----------------|-----------------|--------|--------|-------|----------|----------|
| Inch | | | | | | | |
| HSK63A | 1/8" | 3.15" | 0.59" | 0.787" | 0.35" | 546338 | 276.45 |
| HSK63A | 3/16" | 3.15" | 0.59" | 0.787" | 0.47" | 546340 | 276.45 |
| HSK63A | 1/4" | 3.15" | 0.826" | 1.06" | 1.42" | 546342 | 228.95 |
| HSK63A | 1/4" | 6.30" | 0.83" | 1.06" | 1.42" | 546344 | 332.50 |
| HSK63A | 5/16" | 3.15" | 0.826" | 1.06" | 1.42" | 546346 | 228.95 |
| HSK63A | 3/8" | 3.35" | 0.94" | 1.26" | 1.65" | 546350 | 228.95 |
| HSK63A | 3/8" | 6.30" | 0.94" | 1.26" | 1.65" | 546352 | 332.50 |
| HSK63A | 1/2" | 3.54" | 1.06" | 1.34" | 1.65" | 546354 | 228.95 |
| HSK63A | 1/2" | 6.30" | 1.06" | 1.34" | 1.65" | 546356 | 332.50 |
| HSK63A | 5/8" | 3.74" | 1.06" | 1.34" | 1.97" | 546358 | 228.95 |
| HSK63A | 5/8" | 6.30" | 1.06" | 1.34" | 1.97" | 546360 | 332.50 |
| HSK63A | 3/4" | 3.94" | 1.30" | 1.65" | 2.05" | 546362 | 228.95 |
| HSK63A | 3/4" | 6.30" | 1.30" | 1.65" | 2.05" | 546364 | 332.50 |
| HSK63A | 1" | 4.53" | 1.73" | 2.09" | 2.28" | 546366 | 228.95 |
| HSK63A | 1" | 6.30" | 1.73" | 2.09" | 2.28" | 546368 | 332.50 |
| HSK63A | 1-1/4" | 4.72" | 1.73" | 2.09" | 2.28" | 546370 | 228.10 |
| HSK63A | 1-1/4" | 6.30" | 1.73" | 2.09" | 2.28" | 546372 | 558.60 |
| Metric | | | | | | | |
| HSK63A | 3mm | 80mm | 15mm | 20mm | | 546300 | 276.45 |
| HSK63A | 4mm | 80mm | 15mm | 20mm | 12mm | 546302 | 276.45 |
| HSK63A | 5mm | 80mm | 15mm | 20mm | 15mm | 546304 | 265.34 |
| HSK63A | 6mm | 80mm | 21mm | 27mm | 36mm | 546306 | 228.95 |
| HSK63A | 6mm | 160mm | 21mm | 27mm | 36mm | 546308 | 325.19 |
| HSK63A | 8mm | 80mm | 21mm | 27mm | 36mm | 546310 | 228.95 |
| HSK63A | 10mm | 85mm | 24mm | 32mm | 42mm | 546314 | 228.95 |
| HSK63A | 12mm | 90mm | 24mm | 32mm | 47mm | 546318 | 228.95 |
| HSK63A | 16mm | 95mm | 27mm | 34mm | 50mm | 546322 | 228.95 |
| HSK63A | 20mm | 100mm | 33mm | 42mm | 52mm | 546326 | 228.95 |
| HSK63A | 25mm | 115mm | 44mm | 53mm | 58mm | 546330 | 228.95 |
| HSK63A | 32mm | 120mm | 44mm | 53mm | 58mm | 546334 | 228.10 |

HSK100A Shrink Fit Holders With Coolant Ports



- Holders are balanceable with a balancing machine
- Balanced G2.5 at 30,000rpm
- 4 Coolant ports in the nose
- For maximum gripping power with exceptional concentricity
- TIR of $\leq 0.0001'' / 0.003\text{mm}$ with tool shrunk in holder
- AT2 Taper Accuracy
- Tool is gripped 360° along the entire length of bore resulting in an evenly distributed clamping force
- Material: H13 Tool Steel
- The hot hardness (hot strength) of H13 resists thermal fatigue cracking which occurs as a result of cyclic heating and cooling cycles
- RFID chip hole



| Taper | Hole Dia. (D1) | Gage Length (A) | D2 | D3 | L | Code No. | Price \$ |
|-------------|----------------|-----------------|--------|-------|-------|----------|----------|
| Inch | | | | | | | |
| HSK100A | 1/4" | 3.35" | 0.826" | 1.06" | 1.42" | 546432 | 329.65 |
| HSK100A | 5/16" | 3.35" | 0.826" | 1.06" | 1.42" | 546436 | 329.65 |
| HSK100A | 3/8" | 3.54" | 0.94" | 1.26" | 1.65" | 546440 | 329.65 |
| HSK100A | 3/8" | 6.30" | 0.94" | 1.26" | 1.65" | 546442 | 418.29 |
| HSK100A | 1/2" | 3.74" | 1.06" | 1.34" | 1.65" | 546444 | 329.65 |
| HSK100A | 1/2" | 6.30" | 1.06" | 1.34" | 1.65" | 546446 | 418.29 |
| HSK100A | 5/8" | 3.94" | 1.06" | 1.34" | 1.97" | 546448 | 329.65 |
| HSK100A | 5/8" | 6.30" | 1.06" | 1.34" | 1.97" | 546450 | 428.93 |
| HSK100A | 3/4" | 4.13" | 1.30" | 1.65" | 2.05" | 546452 | 329.65 |
| HSK100A | 3/4" | 6.30" | 1.30" | 1.65" | 2.05" | 546454 | 410.31 |
| HSK100A | 1" | 4.53" | 1.73" | 2.09" | 2.28" | 546456 | 329.65 |
| HSK100A | 1" | 6.30" | 1.73" | 2.09" | 2.28" | 546458 | 410.31 |
| HSK100A | 1-1/4" | 4.72" | 1.73" | 2.09" | 2.28" | 546460 | 318.54 |
| HSK100A | 1-1/4" | 6.30" | 1.73" | 2.09" | 2.28" | 546462 | 418.29 |