



4-Jaw Plain Back Cast Iron Body Independent Chucks — Hard Solid Jaws

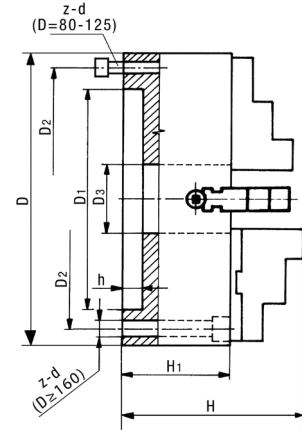
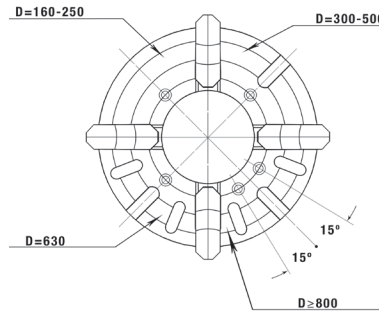
Features:

- 4-Jaw, independent chuck with manual gripping, and a high quality cast iron body
- Chuck bodies in sizes up to 6" diameter, are made from steel
- 4-Jaws ensure the precise centering of square-shaped workpieces with maximum permitted gripping force
- Chucks with diameters 10" and above are equipped with additional T-slots, permitting the addition of extra jaws
- Mounted on the machine tool spindle from the back of the chuck, using the adapter plate

Application:

- This precision chuck, with increased gripping accuracy, is made for all types of very high precision workshop machining operations on conventional lathes
- Suitable for machining square and round workpieces

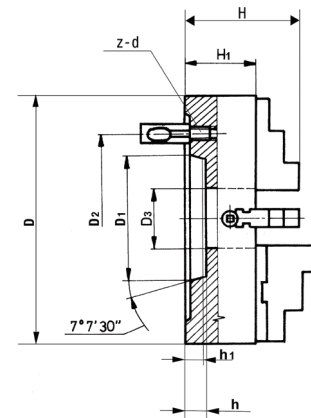
Replacement parts not available



Plain Back

Chuck Size D (in.)	D1 (in.)	D2 (in.)	D3 (in.)	H (in.)	H1 (in.)	h (in.)	z-d	Max. Input Torque (ft/lbs)	Max Speed (r/min.)	Weight (lbs.)	Code No.	Price \$
5	3.740	4.252	1.181	3.071	2.205	0.177	4-M8	36.88	3000	11.00	4445803	277.03
6	2.559	3.740	1.772	3.661	2.556	0.197	4-M10	51.63	2500	19.80	4445804	466.20
8	3.150	4.409	2.205	4.213	2.953	0.236	4-M10	73.76	2000	33.00	4445805	547.96
10	4.331	5.118	2.953	4.724	3.150	0.236	4-M12	110.64	1600	50.60	4445810	662.05

4-Jaw Camlock Mount Cast Iron Body Independent Chucks — Hard Solid Jaws



Camlock Mount

Chuck Size D (in.)	D1 (in.)	D2 (in.)	D3 (in.)	H (in.)	H1 (in.)	h (in.)	h1 (in.)	z-d	Max. Input Torque (ft/lbs)	Max Speed (r/min.)	Weight (lbs.)	Code No.	Price \$
10 D1-6	4.188	5.252	2.953	4.724	3.150	0.630	0.512	6-M16x1.5	110.64	1600	50.60	4450130	824.26
12 D1-6	4.188	5.252	3.740	5.276	3.543	0.630	0.512	6-M16x1.5	132.77	1200	88.00	4450135	1,182.23
12 D1-8	5.501	6.748	3.740	5.276	3.543	0.709	0.551	6-M20x1.5	132.77	1200	88.00	4450140	1,195.76
16 D1-8	5.501	6.748	4.921	5.630	3.740	0.709	0.551	6-M20x1.5	206.53	1000	121.00	4450150	1,655.14
20 D1-11	7.751	9.252	6.299	6.339	4.173	0.787	0.630	6-M22x1.5	258.16	800	224.40	4450165	718.99