



Choose GS Tooling, the  
**Gold Standard**  
 in vises.



**10 YEAR**  
 WARRANTY

Code No.  
 327320

# GS160G

## 6" Precision Milling Machine Vise

Newly redesigned, our GS160G Vise is packed with industry-leading workholding features and has a clamping force of 9,240lbs.

- Narrower body style to allow more vises on a machine table.
- The bearing pack has been relocated to help reduce oil/water/chip leakage into the vise body.
- The thrust bearings have been replaced with ball bearings. This makes the pack more stable, stronger under pressure, and able to withstand the knock of a handle without breaking.
- Spherical segment creates all-directional alignment and reduces jaw lift for improved performance.
- Spindle does not protrude past the end of the body.
- Brush seal design.
- Stationary jaw: 4 bolt stationary design reduces lift.
- Pull-type design: Reduces stress on body during clamping.
- Chip evacuation: Straight through the body on sides and ends. Locations strategically chosen to not reduce body strength.

Compare the GS160G with the leading competitor and the biggest difference you'll find is price... and clamping force!

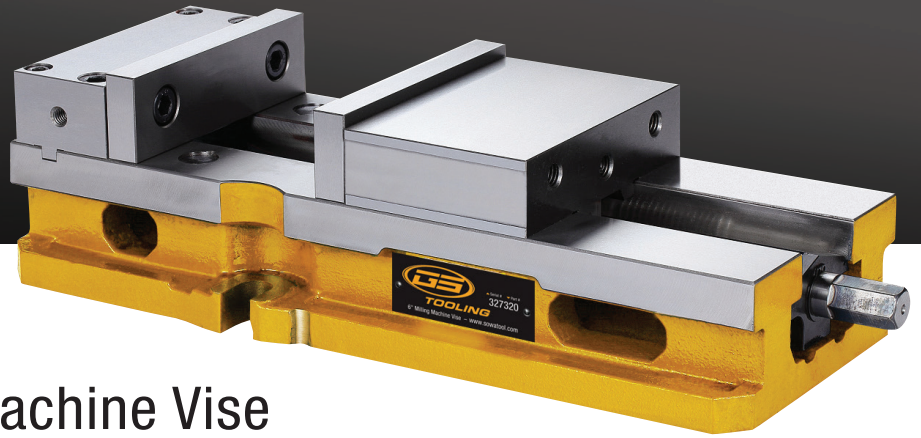


**COMPETITOR**

	GS160G	COMPETITOR
List Price \$	\$904	\$1,083
Material (Body)	FCD-60	FCD-60
Material (Sliding Nut)	FCD-45	FCD-45
Material (Jaws)	S45C	S45C
Material (Main Screw)	S45C	S45C
Parallelism of Body	0.0004"	0.0004"
Squareness of the Jaw	0~+0.0004"	0~+0.0004"
Bearing System	Ball Bearing	Thrust Bearing
Opening	9.13"	9"
Bed Height	2.875"	2.875"
Bed height tolerance	± 0.0005"	± 0.0005"
Jaw Width	6"	6"
Jaw Height	1.75"	1.735"
Overall Length	16.8"	16.862"
Height	4.63"	4.61"
Width	7.32"	7.391"
Base Length	16.81"	16.81"
Clamping Force	9,240lbs	7,342lbs

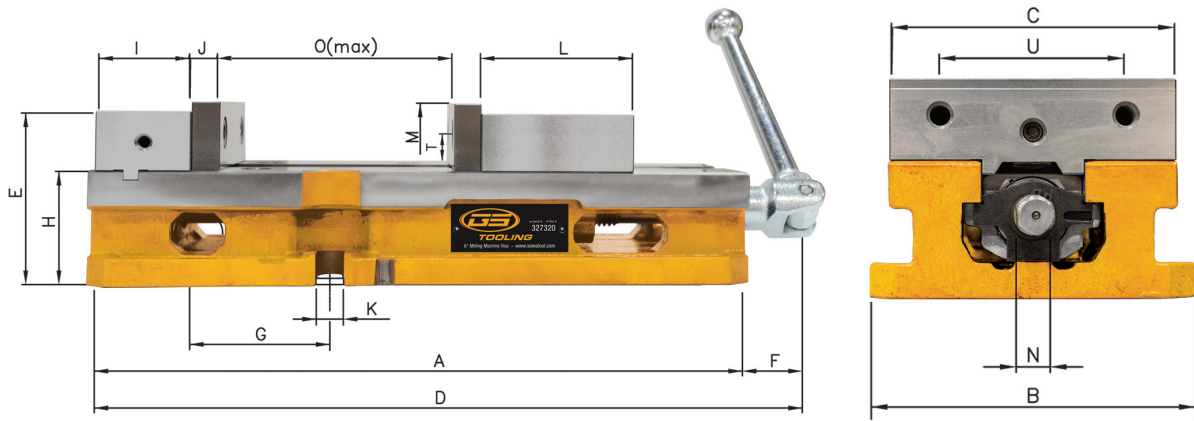


We're changing the color on the GS Tooling vises you know and trust.



# GS160G

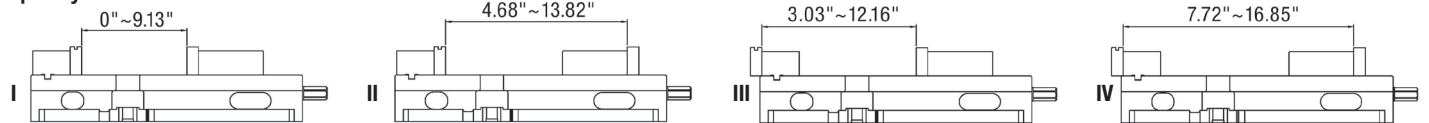
## 6" Precision Milling Machine Vise



327320

A	B	C	D	E	F	G	H	I	J	K	L	M	N	O	T	U	Weight
16.81"	7.32"	5.94"	18.35"	4.37"	1.54"	3.56"	2.875"	2.31"	0.725"	0.69"	4"	1.75"	0.75"	9.13"	0.94"	3.87"	68.34lb

### Capacity



Proudly distributed by:



### Sowa Tool & Machine Co. Ltd.

Canadian Head Office  
500 Manitou Drive, Kitchener, ON, N2C 1L3  
North Carolina Office  
101-137 Overhill Drive, Mooresville, NC 28117

TF: 1-800-265-8221  
Tel: 519-748-5750  
Fax: 519-748-9304  
sales@sowatool.com  
www.SowaTool.com