

# JETON®

www.jeton.com.tw

High Pressure Adjustable Nozzle  
Spraying Device



JETON R/D & MFG. INC.  
**宏明工業股份有限公司 / 宏啓工業股份有限公司**  
No. 17, Lane 100, Tsao-Tyi Road, Ta-Li Dist., Taichung, Taiwan  
台灣台中市大里區草堤路100巷17號  
TEL: 886 - 4 - 24953456  
FAX: 886 - 4 - 24953399  
E-MAIL: jetoninc@seed.net.tw

**上海奇晉貿易有限公司**  
上海市寶山區三泉路1859弄63號1202室  
TEL: 021 - 65622765 , 021 - 65623571  
FAX: 021 - 65159705  
E-MAIL: jetoninc@163.com

# JETON®

www.jeton.com.tw

It is our great pleasure introducing JETON R/D & MFG. INC.  
This is a company has more than 20 year's extensive experiences in the field of Injection Industrial and we major manufacture and market JETON ADJUSTABLE COOLANT HOSE, HIGH PRESSURE ADJUSTABLE NOZZLE, VACUUM FLEX TUBE, DOLL ARMATURE.  
JETON is one of the leading manufacturers in INJECTION INDUSTRIAL from 1983 especially in ADJUSTABLE COOLANT HOSE for machine tools.  
In 1989, we use the reason of COOLANT HOSE to develop the product for Doll in ARMATURE that could be put into the stuff toys or ceramic doll, soft body and so on. It's made the toy to be looked life-like very much.  
In 1994, we extend the range of toy's accessory with great varieties. In 1996, we use the modern techniques to combine and develop with flexible structuring parts for applications.  
Nowadays we rename JETON R/D & MFG. INC. (Original: HONG CHYE INDUSTRIAL CO., LTD.) and hope you to support us in the future.



## CONTENTS

### High Pressure Adjustable Nozzle

|                                      |       |
|--------------------------------------|-------|
| High Pressure Adjustable Nozzle..... | 03-04 |
| Inclined-injection Type.....         | 05-06 |
| Direct-injection Type.....           | 07-08 |
| Mounted Type.....                    | 09-10 |
| Easy Jet-on Type.....                | 11-12 |
| Examples Of Application.....         | 13-14 |

### Spraying Device

|                      |       |
|----------------------|-------|
| Spraying Device..... | 15-16 |
|----------------------|-------|



Omnipotent

**HIGH PRESSURE ADJUSTABLE NOZZLE**  
High Pressure Adjustable Nozzle

## High Pressure Adjustable Nozzle

High pressure adjustable nozzle can elevate the working efficiency, enhance accuracy of product, protect the service life of cutting tools, curtail working hours, and lower cost that makes it an efficient instrument to enhance the competitiveness.

- ▶ It's specially-designed mechanical structure can bring out an adjustable angle featuring 360° gyration after the oblique 34° angle, thus helping adjust a wide injection range.
- ▶ A choice of quality material along with accurate assembly to develop the greatest function of high pressure adjustable nozzle.
- ▶ The compression resistance to be at 30 kgf/cm<sup>2</sup>.
- ▶ A wide range of adjustable angle, an easy adjustment.
- ▶ Steady and accurate positioning with no spring-back.
- ▶ Applied to the spraying, cooling system and ejector system of each type of machine.



### MODEL

#### INCLINED-INJECTION TYPE

The injection direction forms one angle with the fixed direction and is applied widely to deviated spraying cooling system, such as turret of the CNC lathe.

#### DIRECT-INJECTION TYPE

The injection direction is paralleled to the fixed direction and is widely applied to variety of CNC machining center, grinding machine, and each machining tool.

#### MOUNTED TYPE

The injection direction is paralleled to the fixed direction, but the fixed direction uses the close fit for a mount and is applied to each CNC system.

#### EASY JET-ON TYPE

The injection direction forms one angle with the fixed direction, but the fixed direction uses the close fit for a mount and is applied to each CNC system.



#### PRESSURE CONVERSION TABLE:

| Kgf / cm <sup>2</sup> | Bar     | KPa  | PSI  | Torr mmHg | atm   |
|-----------------------|---------|------|------|-----------|-------|
| 1                     | = 0.981 | 98.1 | 14.2 | 735.56    | 0.968 |
| 30                    | = 29.43 | 2943 | 426  | 22066.8   | 29.04 |

**HIGH PRESSURE ADJUSTABLE NOZZLE**

Omnipotent



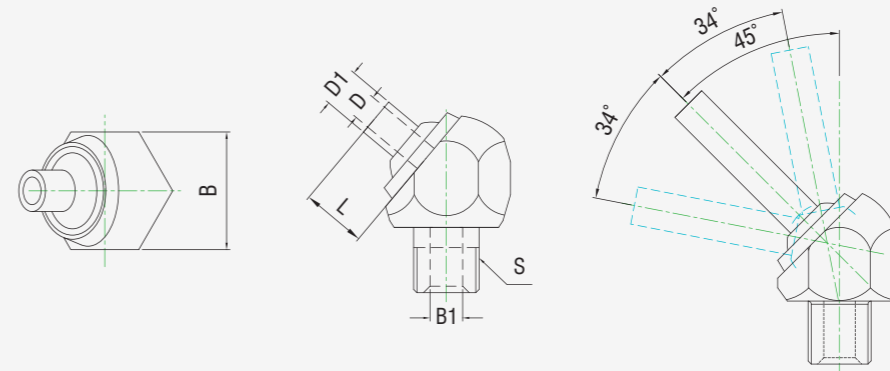
Omnipotent

Patented Design

## Inclined-Injection High Pressure Adjustable Nozzle

The injection direction forms one angle with the fixed direction and is applied widely to deviated spraying cooling system, such as turret of the CNC lathe.

- ▶ Easy adjustable angle.
- ▶ Accurate and steady positioning.
- ▶ Element cleaning after the machining process.
- ▶ Get the "water" power ready to inject cutting tool, secure the cooling of the cutters in the machining course to extend the service life of cutters.
- ▶ Strong injection cooling system makes the filing strap won't wind around the lathe tool and secure the elements more accuracy and the surface more smooth during the machining process.
- ▶ Applied to spraying and cooling system and enector of each type of machine.



Specifications for Inclined-Injection High Pressure Adjustable Nozzle

| Item No.    | Specifications | Major Size |           |    |    |    | Unit (mm)   |  |
|-------------|----------------|------------|-----------|----|----|----|-------------|--|
|             |                | D          | THREAD(S) | L  | D1 | B1 | HEXAGRAM(B) |  |
| JTAP-1/8-10 | 1/8"PT-Ø4*10L  | 4          | PT 1/8"   | 10 | 6  | 6  | 17          |  |
| JTAP-1/8-30 | 1/8"PT-Ø4*30L  | 4          | PT 1/8"   | 30 | 6  | 6  | 17          |  |
| JTAP-1/8-50 | 1/8"PT-Ø4*50L  | 4          | PT 1/8"   | 50 | 6  | 6  | 17          |  |
| JTAP-1/4-10 | 1/4"PT-Ø4*10L  | 4          | PT 1/4"   | 10 | 6  | 6  | 17          |  |
| JTAP 1/4 30 | 1/4"PT-Ø4*30L  | 4          | PT 1/4"   | 30 | 6  | 6  | 17          |  |
| JTAP 1/4 50 | 1/4"PT-Ø4*50L  | 4          | PT 1/4"   | 50 | 6  | 6  | 17          |  |
| JTAP-3/8-20 | 3/8"PT-Ø6*20L  | 6          | PT 3/8"   | 20 | 8  | 10 | 24          |  |
| JTAP-3/8-40 | 3/8"PT-Ø6*40L  | 6          | PT 3/8"   | 40 | 8  | 10 | 24          |  |
| JTAP 3/8 60 | 3/8"PT-Ø6*60L  | 6          | PT 3/8"   | 60 | 8  | 10 | 24          |  |
| JTAP-1/2-30 | 1/2"PT-Ø8*30L  | 8          | PT 1/2"   | 30 | 10 | 12 | 32          |  |
| JTAP-1/2-50 | 1/2"PT-Ø8*50L  | 8          | PT 1/2"   | 50 | 10 | 12 | 32          |  |
| JTAP-1/2-70 | 1/2"PT-Ø8*70L  | 8          | PT 1/2"   | 70 | 10 | 12 | 32          |  |

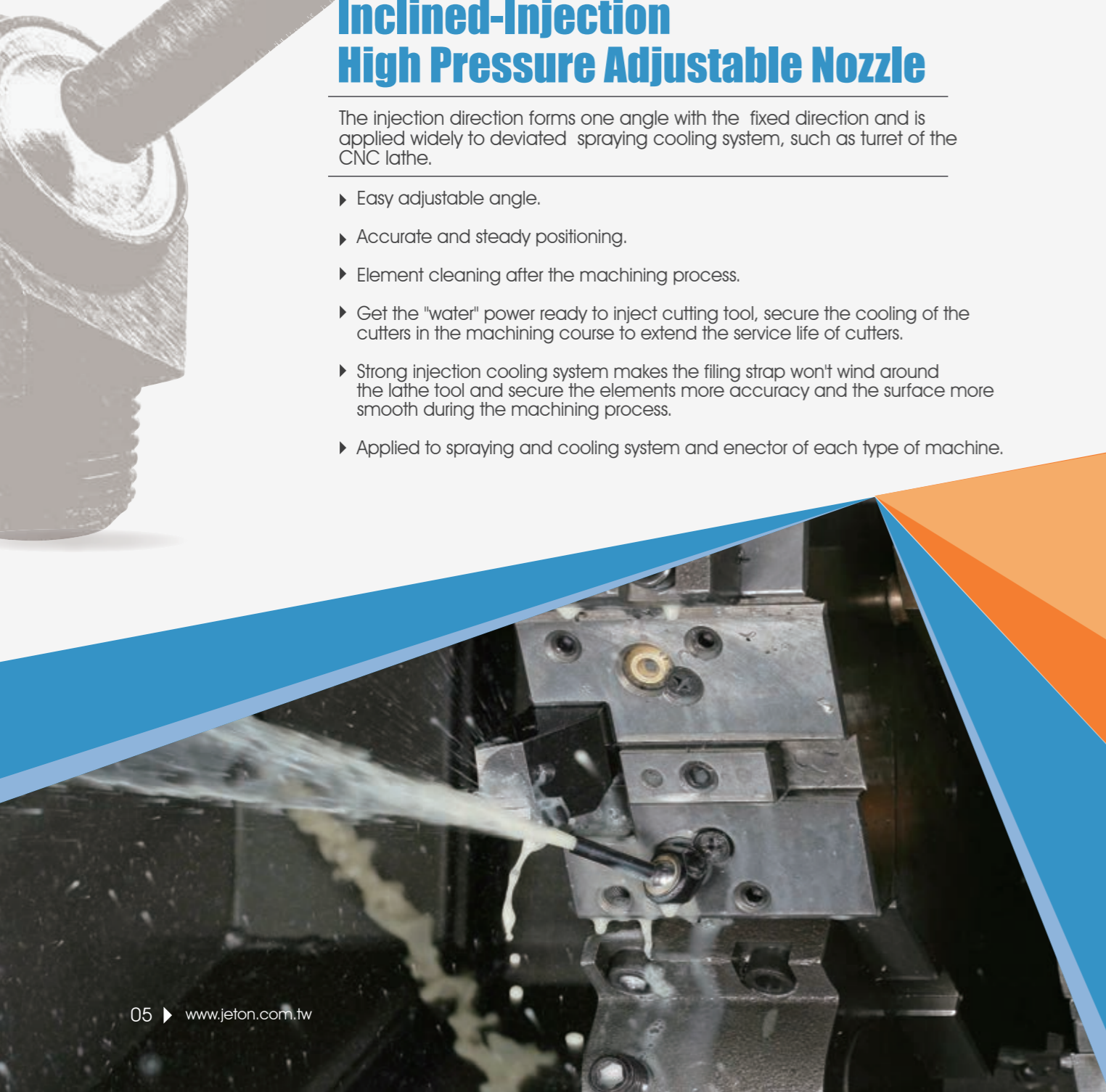
| Item No.    | Specifications | Major Size |           |    |    |    | Unit (mm)   |  |
|-------------|----------------|------------|-----------|----|----|----|-------------|--|
|             |                | D          | THREAD(S) | L  | D1 | B1 | HEXAGRAM(B) |  |
| JTAN-1/8-10 | 1/8"NPT-Ø4*10L | 4          | NPT 1/8"  | 10 | 6  | 6  | 17          |  |
| JTAN 1/8 30 | 1/8"NPT-Ø4*30L | 4          | NPT 1/8"  | 30 | 6  | 6  | 17          |  |
| JTAN-1/8-50 | 1/8"NPT-Ø4*50L | 4          | NPT 1/8"  | 50 | 6  | 6  | 17          |  |
| JTAN-1/4-10 | 1/4"NPT-Ø4*10L | 4          | NPT 1/4"  | 10 | 6  | 6  | 17          |  |
| JTAN-1/4-30 | 1/4"NPT-Ø4*30L | 4          | NPT 1/4"  | 30 | 6  | 6  | 17          |  |
| JTAN-1/4-50 | 1/4"NPT-Ø4*50L | 4          | NPT 1/4"  | 50 | 6  | 6  | 17          |  |
| JTAN-3/8-20 | 3/8"NPT-Ø6*20L | 6          | NPT 3/8"  | 20 | 8  | 10 | 24          |  |
| JTAN 3/8 40 | 3/8"NPT-Ø6*40L | 6          | NPT 3/8"  | 40 | 8  | 10 | 24          |  |
| JTAN-3/8-60 | 3/8"NPT-Ø6*60L | 6          | NPT 3/8"  | 60 | 8  | 10 | 24          |  |
| JTAN-1/2-30 | 1/2"NPT-Ø8*30L | 8          | NPT 1/2"  | 30 | 10 | 12 | 32          |  |
| JTAN-1/2-50 | 1/2"NPT-Ø8*50L | 8          | NPT 1/2"  | 50 | 10 | 12 | 32          |  |
| JTAN-1/2-70 | 1/2"NPT-Ø8*70L | 8          | NPT 1/2"  | 70 | 10 | 12 | 32          |  |

| Item No.   | Specifications   | Major Size |           |    |    |    | Unit (mm)   |  |
|------------|------------------|------------|-----------|----|----|----|-------------|--|
|            |                  | D          | THREAD(S) | L  | D1 | B1 | HEXAGRAM(B) |  |
| JTAM-10 10 | M10*1.25P-Ø4*10L | 4          | M10*1.25P | 10 | 6  | 6  | 17          |  |
| JTAM-10 30 | M10*1.25P-Ø4*30L | 4          | M10*1.25P | 30 | 6  | 6  | 17          |  |
| JTAM-10-50 | M10*1.25P-Ø4*50L | 4          | M10*1.25P | 50 | 6  | 6  | 17          |  |

| Item No.     | Specifications | Major Size |           |    |    |    | Unit (mm)   |  |
|--------------|----------------|------------|-----------|----|----|----|-------------|--|
|              |                | D          | THREAD(S) | L  | D1 | B1 | HEXAGRAM(B) |  |
| JTAP2-1/8-10 | 1/8"PT-Ø3*10L  | 3          | PT 1/8"   | 10 | 5  | 5  | 14          |  |
| JTAP2-1/8-20 | 1/8"PT-Ø3*20L  | 3          | PT 1/8"   | 20 | 5  | 5  | 14          |  |
| JTAP2-3/8-10 | 3/8"PT-Ø4*10L  | 4          | PT 3/8"   | 10 | 6  | 6  | 17          |  |
| JTAP2-3/8-30 | 3/8"PT-Ø4*30L  | 4          | PT 3/8"   | 30 | 6  | 6  | 17          |  |
| JTAP2-3/8-50 | 3/8"PT-Ø4*50L  | 4          | PT 3/8"   | 50 | 6  | 6  | 17          |  |

| Item No.     | Specifications | Major Size |           |    |    |    | Unit (mm)   |  |
|--------------|----------------|------------|-----------|----|----|----|-------------|--|
|              |                | D          | THREAD(S) | L  | D1 | B1 | HEXAGRAM(B) |  |
| JTAN2-1/8-10 | 1/8"NPT-Ø3*10L | 3          | NPT 1/8"  | 10 | 5  | 5  | 14          |  |
| JTAN2-1/8-20 | 1/8"NPT-Ø3*20L | 3          | NPT 1/8"  | 20 | 5  | 5  | 14          |  |
| JTAN2-3/8-10 | 3/8"NPT-Ø4*10L | 4          | NPT 3/8"  | 10 | 6  | 6  | 17          |  |
| JTAN2-3/8-30 | 3/8"NPT-Ø4*30L | 4          | NPT 3/8"  | 30 | 6  | 6  | 17          |  |
| JTAN2-3/8-50 | 3/8"NPT-Ø4*50L | 4          | NPT 3/8"  | 50 | 6  | 6  | 17          |  |

| Item No.   | Specifications  | Major Size |           |    |    |     | Unit (mm)   |  |
|------------|-----------------|------------|-----------|----|----|-----|-------------|--|
|            |                 | D          | THREAD(S) | L  | D1 | B1  | HEXAGRAM(B) |  |
| JTAM2-8-10 | M8*1.25P-Ø3*10L | 3          | M8*1.25P  | 10 | 5  | 4.5 | 14          |  |
| JTAM2-8-20 | M8*1.25P-Ø3*20L | 3          | M8*1.25P  | 20 | 5  | 4.5 | 14          |  |



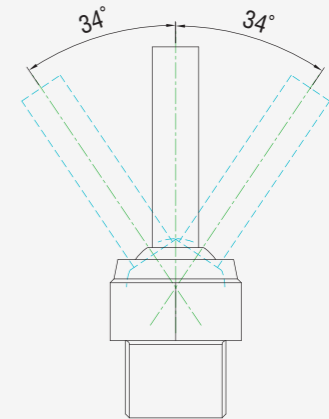
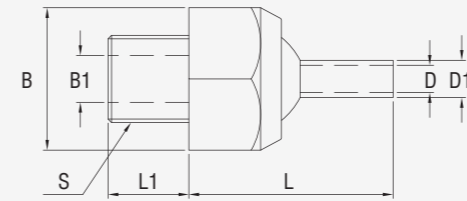
Omnipotent



## Direct-Injection High Pressure Adjustable Nozzle

The injection direction is paralleled to the fixed direction, with the screw to be used to make the fixed method. It is widely applied to the spraying and cooling system and ejector of each type of machine.

- ▶ Easy adjustable angle.
- ▶ Accurate and steady positioning, with no spring-back.
- ▶ Get the "water" power ready for an accurate injection towards milling cutter or drill, thus securing the sufficient cooling for cutter or drill during the machining process and extending its service life.
- ▶ Applied widely to the spraying and cooling system and ejector of each type of machine.



Specifications for Direct-Injection High Pressure Adjustable Nozzle

| Item No.    | Specifications | Major Size |           |    |    |    |    | Unit (mm)   |  |
|-------------|----------------|------------|-----------|----|----|----|----|-------------|--|
|             |                | D          | THREAD(S) | L  | L1 | D1 | B1 | HEXAGRAM(B) |  |
| JTSP-1/8-20 | 1/8"PT-Ø4*20L  | 4          | PT 1/8"   | 20 | 10 | 6  | 6  | 17          |  |
| JTSP-1/8-40 | 1/8"PT-Ø4*40L  | 4          | PT 1/8"   | 40 | 10 | 6  | 6  | 17          |  |
| JTSP-1/8-60 | 1/8"PT-Ø4*60L  | 4          | PT 1/8"   | 60 | 10 | 6  | 6  | 17          |  |
| JTSP-1/4-20 | 1/4"PT-Ø4*20L  | 4          | PT 1/4"   | 20 | 10 | 6  | 6  | 17          |  |
| JTSP-1/4-40 | 1/4"PT-Ø4*40L  | 4          | PT 1/4"   | 40 | 10 | 6  | 6  | 17          |  |
| JTSP-1/4-60 | 1/4"PT-Ø4*60L  | 4          | PT 1/4"   | 60 | 10 | 6  | 6  | 17          |  |
| JTSP-3/8-30 | 3/8"PT-Ø6*30L  | 6          | PT 3/8"   | 30 | 13 | 8  | 10 | 24          |  |
| JTSP-3/8-50 | 3/8"PT-Ø6*50L  | 6          | PT 3/8"   | 50 | 13 | 8  | 10 | 24          |  |
| JTSP-3/8-70 | 3/8"PT-Ø6*70L  | 6          | PT 3/8"   | 70 | 13 | 8  | 10 | 24          |  |
| JTSP-1/2-40 | 1/2"PT-Ø8*40L  | 8          | PT 1/2"   | 40 | 18 | 10 | 12 | 32          |  |
| JTSP-1/2-60 | 1/2"PT-Ø8*60L  | 8          | PT 1/2"   | 60 | 18 | 10 | 12 | 32          |  |
| JTSP-1/2-80 | 1/2"PT-Ø8*80L  | 8          | PT 1/2"   | 80 | 18 | 10 | 12 | 32          |  |

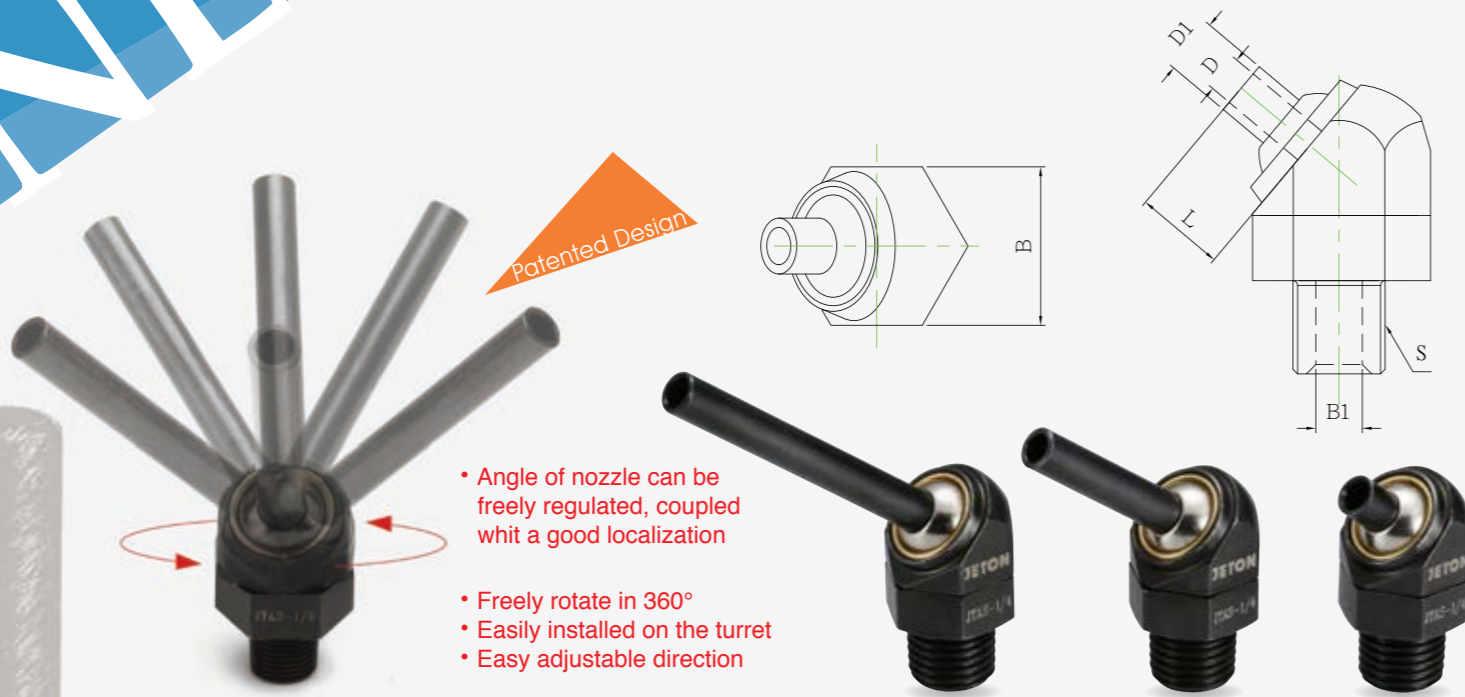
| Item No.    | Specifications | Major Size |           |    |    |    |    | Unit (mm)   |  |
|-------------|----------------|------------|-----------|----|----|----|----|-------------|--|
|             |                | D          | THREAD(S) | L  | L1 | D1 | B1 | HEXAGRAM(B) |  |
| JTSN-1/8-20 | 1/8"NPT-Ø4*20L | 4          | NPT 1/8"  | 20 | 10 | 6  | 6  | 17          |  |
| JTSN-1/8-40 | 1/8"NPT-Ø4*40L | 4          | NPT 1/8"  | 40 | 10 | 6  | 6  | 17          |  |
| JTSN-1/8-60 | 1/8"NPT-Ø4*60L | 4          | NPT 1/8"  | 60 | 10 | 6  | 6  | 17          |  |
| JTSN-1/4-20 | 1/4"NPT-Ø4*20L | 4          | NPT 1/4"  | 20 | 10 | 6  | 6  | 17          |  |
| JTSN-1/4-40 | 1/4"NPT-Ø4*40L | 4          | NPT 1/4"  | 40 | 10 | 6  | 6  | 17          |  |
| JTSN-1/4-60 | 1/4"NPT-Ø4*60L | 4          | NPT 1/4"  | 60 | 10 | 6  | 6  | 17          |  |
| JTSN-3/8-30 | 3/8"NPT-Ø6*30L | 6          | NPT 3/8"  | 30 | 13 | 8  | 10 | 24          |  |
| JTSN-3/8-50 | 3/8"NPT-Ø6*50L | 6          | NPT 3/8"  | 50 | 13 | 8  | 10 | 24          |  |
| JTSN-3/8-70 | 3/8"NPT-Ø6*70L | 6          | NPT 3/8"  | 70 | 13 | 8  | 10 | 24          |  |
| JTSN-1/2-40 | 1/2"NPT-Ø8*40L | 8          | NPT 1/2"  | 40 | 18 | 10 | 12 | 32          |  |
| JTSN-1/2-60 | 1/2"NPT-Ø8*60L | 8          | NPT 1/2"  | 60 | 18 | 10 | 12 | 32          |  |
| JTSN-1/2-80 | 1/2"NPT-Ø8*80L | 8          | NPT 1/2"  | 80 | 18 | 10 | 12 | 32          |  |

| Item No.   | Specifications   | Major Size |           |    |    |    |    | Unit (mm)   |  |
|------------|------------------|------------|-----------|----|----|----|----|-------------|--|
|            |                  | D          | THREAD(S) | L  | L1 | D1 | B1 | HEXAGRAM(B) |  |
| JTSM-10-15 | M10*1.25P-Ø4*15L | 4          | M10*1.25P | 15 | 10 | 6  | 6  | 17          |  |
| JTSM-10-20 | M10*1.25P-Ø4*20L | 4          | M10*1.25P | 20 | 10 | 6  | 6  | 17          |  |
| JTSM-10-40 | M10*1.25P-Ø4*40L | 4          | M10*1.25P | 40 | 10 | 6  | 6  | 17          |  |
| JTSM-10-60 | M10*1.25P-Ø4*60L | 4          | M10*1.25P | 60 | 10 | 6  | 6  | 17          |  |
| JTSM-20-30 | M20*1.5P-Ø6*30L  | 6          | M20*1.5P  | 30 | 13 | 8  | 10 | 24          |  |
| JTSM-20-50 | M20*1.5P-Ø6*50L  | 6          | M20*1.5P  | 50 | 13 | 8  | 10 | 24          |  |
| JTSM-20-70 | M20*1.5P-Ø6*70L  | 6          | M20*1.5P  | 70 | 13 | 8  | 10 | 24          |  |
| JTSM-24-40 | M24*2.0P-Ø8*40L  | 8          | M24*2.0P  | 40 | 18 | 10 | 12 | 32          |  |
| JTSM-24-60 | M24*2.0P-Ø8*60L  | 8          | M24*2.0P  | 60 | 18 | 10 | 12 | 32          |  |
| JTSM-24-80 | M24*2.0P-Ø8*80L  | 8          | M24*2.0P  | 80 | 18 | 10 | 12 | 32          |  |

High Pressure Adjustable Nozzle Spraying Device

# NEW

## SPECIFICATIONS FOR EASY JET-ON HIGH PRESSURE ADJUSTABLE NOZZLE



- Patented Design
- Angle of nozzle can be freely regulated, coupled with a good localization
- Freely rotate in 360°
- Easily installed on the turret
- Easy adjustable direction

Specifications For Easy Jet-on High Pressure Adjustable Nozzle

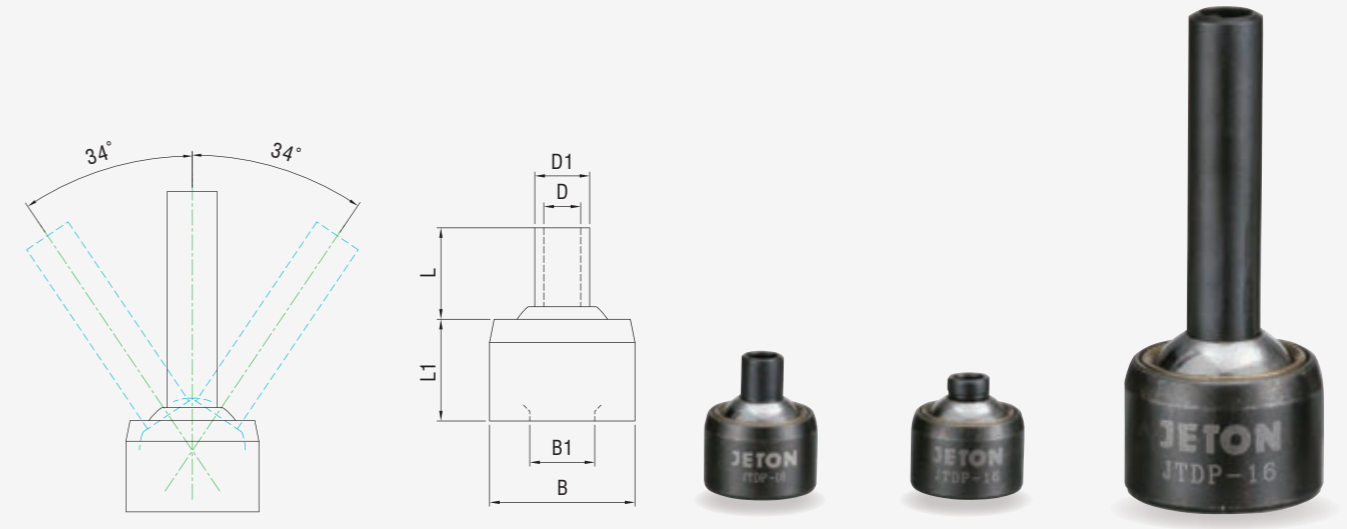
| ITEM         | SPECIFICATIONS | MAJOR SIZE |            |    |    |    |              | unit (mm) |
|--------------|----------------|------------|------------|----|----|----|--------------|-----------|
|              |                | D          | THREAD (S) | L  | D1 | B1 | HEXAGRAM (B) |           |
| JTASP-1/8-10 | 1/8"PT-Φ4*10L  | 4          | PT 1/8"    | 10 | 6  | 6  | 17           |           |
| JTASP-1/8-30 | 1/8"PT-Φ4*30L  | 4          | PT 1/8"    | 30 | 6  | 6  | 17           |           |
| JTASP-1/8-50 | 1/8"PT-Φ4*50L  | 4          | PT 1/8"    | 50 | 6  | 6  | 17           |           |
| JTASP-1/4-10 | 1/4"PT-Φ4*10L  | 4          | PT 1/4"    | 10 | 6  | 6  | 17           |           |
| JTASP-1/4-30 | 1/4"PT-Φ4*30L  | 4          | PT 1/4"    | 30 | 6  | 6  | 17           |           |
| JTASP-1/4-50 | 1/4"PT-Φ4*50L  | 4          | PT 1/4"    | 50 | 6  | 6  | 17           |           |
| JTASP-3/8-10 | 3/8"PT-Φ4*10L  | 4          | PT 3/8"    | 10 | 6  | 6  | 17           |           |
| JTASP-3/8-30 | 3/8"PT-Φ4*30L  | 4          | PT 3/8"    | 30 | 6  | 6  | 17           |           |
| JTASP-3/8-50 | 3/8"PT-Φ4*50L  | 4          | PT 3/8"    | 50 | 6  | 6  | 17           |           |

| ITEM         | SPECIFICATIONS | MAJOR SIZE |            |    |    |    |              | unit (mm) |
|--------------|----------------|------------|------------|----|----|----|--------------|-----------|
|              |                | D          | THREAD (S) | L  | D1 | B1 | HEXAGRAM (B) |           |
| JTASN-1/8-10 | 1/8"NPT-Φ4*10L | 4          | NPT 1/8"   | 10 | 6  | 6  | 17           |           |
| JTASN-1/8-30 | 1/8"NPT-Φ4*30L | 4          | NPT 1/8"   | 30 | 6  | 6  | 17           |           |
| JTASN-1/8-50 | 1/8"NPT-Φ4*50L | 4          | NPT 1/8"   | 50 | 6  | 6  | 17           |           |
| JTASN-1/4-10 | 1/4"NPT-Φ4*10L | 4          | NPT 1/4"   | 10 | 6  | 6  | 17           |           |
| JTASN-1/4-30 | 1/4"NPT-Φ4*30L | 4          | NPT 1/4"   | 30 | 6  | 6  | 17           |           |
| JTASN-1/4-50 | 1/4"NPT-Φ4*50L | 4          | NPT 1/4"   | 50 | 6  | 6  | 17           |           |
| JTASN-3/8-10 | 3/8"NPT-Φ4*10L | 4          | NPT 3/8"   | 10 | 6  | 6  | 17           |           |
| JTASN-3/8-30 | 3/8"NPT-Φ4*30L | 4          | NPT 3/8"   | 30 | 6  | 6  | 17           |           |
| JTASN-3/8-50 | 3/8"NPT-Φ4*50L | 4          | NPT 3/8"   | 50 | 6  | 6  | 17           |           |

| ITEM        | SPECIFICATIONS   | MAJOR SIZE |            |    |    |    |              | unit (mm) |
|-------------|------------------|------------|------------|----|----|----|--------------|-----------|
|             |                  | D          | THREAD (S) | L  | D1 | B1 | HEXAGRAM (B) |           |
| JTASM-10-10 | M10*1.25P-Φ4*10L | 4          | M10*1.25P  | 10 | 6  | 6  | 17           |           |
| JTASM-10-30 | M10*1.25P-Φ4*30L | 4          | M10*1.25P  | 30 | 6  | 6  | 17           |           |
| JTASM-10-50 | M10*1.25P-Φ4*50L | 4          | M10*1.25P  | 50 | 6  | 6  | 17           |           |

## Mounted High Pressure Adjustable Nozzle

The injection direction is paralleled to the fixed direction, with the fixed method adopting the close fit for the mount. It is widely applied to the spraying and cooling system and ejector of each type of machine.



Specifications for Mounted High Pressure Adjustable Nozzle

| Item No.  | Specifications | Major Size |   |    |    |     |      | nit (mm) |
|-----------|----------------|------------|---|----|----|-----|------|----------|
|           |                | D          | L | D1 | L1 | B1  | Ø(B) |          |
| JTDP-10   | Ø10*Ø2         | 2          | 1 | 3  | 8  | 4.5 | 10   |          |
| JTDP-12-5 | Ø12*Ø2*5L      | 2          | 5 | 4  | 8  | 5.5 | 12   |          |

| Item No.  | Specifications | Major Size |   |    |    |    |      | nit (mm) |
|-----------|----------------|------------|---|----|----|----|------|----------|
|           |                | D          | L | D1 | L1 | B1 | Ø(B) |          |
| JTDP-14-8 | Ø14*Ø3*8L      | 3          | 8 | 5  | 8  | 7  | 14   |          |

| Item No.   | Specifications | Major Size |    |    |    |    |      | nit (mm) |
|------------|----------------|------------|----|----|----|----|------|----------|
|            |                | D          | L  | D1 | L1 | B1 | Ø(B) |          |
| JTDP-15-5  | Ø15*Ø4*5L      | 4          | 5  | 6  | 8  | 7  | 15   |          |
| JTDP-15-10 | Ø15*Ø4*10L     | 4          | 10 | 6  | 8  | 7  | 15   |          |
| JTDP-15-30 | Ø15*Ø4*30L     | 4          | 30 | 6  | 8  | 7  | 15   |          |
| JTDP-15-50 | Ø15*Ø4*50L     | 4          | 50 | 6  | 8  | 7  | 15   |          |

| Item No.   | Specifications | Major Size |    |    |    |    |      | nit (mm) |
|------------|----------------|------------|----|----|----|----|------|----------|
|            |                | D          | L  | D1 | L1 | B1 | Ø(B) |          |
| JTDP-16-5  | Ø16*Ø4*5L      | 4          | 5  | 6  | 11 | 7  | 16   |          |
| JTDP-16-10 | Ø16*Ø4*10L     | 4          | 10 | 6  | 11 | 7  | 16   |          |
| JTDP-16-30 | Ø16*Ø4*30L     | 4          | 30 | 6  | 11 | 7  | 16   |          |
| JTDP-16-50 | Ø16*Ø4*50L     | 4          | 50 | 6  | 11 | 7  | 16   |          |



High Pressure Adjustable Nozzle Spraying Device

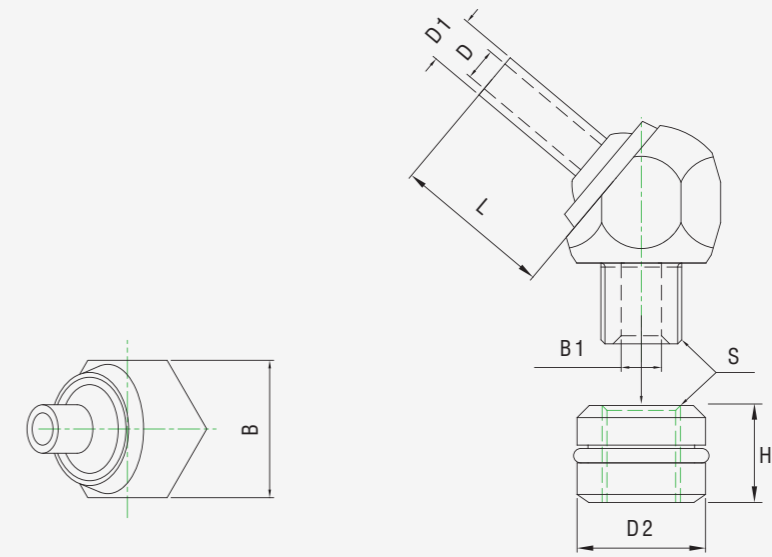
Omnipotent

NEW

## Easy Jet-On High Pressure Adjustable Nozzle

The injection direction forms one angle with the fixed direction, but the fixed direction uses the close fit for a mount and is applied to each CNC system.

- ▶ Easy adjustable angle.
- ▶ Accurate and steady positioning, with no spring-back.
- ▶ Get the "water" power ready for an accurate injection towards milling cutter or drill, thus securing the sufficient cooling for cutter or drill during the machining process and extending its service life.
- ▶ Applied widely to the spraying and cooling system and ejector of each type of machine.



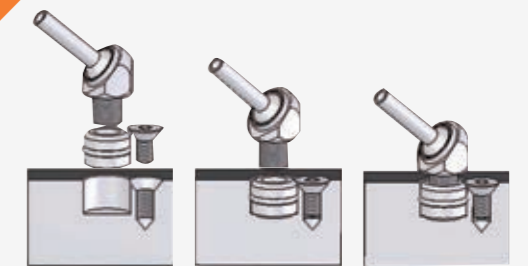
### Specifications for Easy Jet-On High Pressure Adjustable Nozzle

| Item No.       | Specifications | Major Size |   |           |    |    |    |      | Unit (mm)   |  |
|----------------|----------------|------------|---|-----------|----|----|----|------|-------------|--|
|                |                | D2         | D | THREAD(S) | L  | D1 | B1 | H    | HEXAGRAM(B) |  |
| JTAT-14-1/8-10 | 1/8"PT-Ø4*10L  | 14         | 4 | PT 1/8"   | 10 | 6  | 6  | 10.5 | 17          |  |
| JTAT-14-1/8-30 | 1/8"PT-Ø4*30L  | 14         | 4 | PT 1/8"   | 30 | 6  | 6  | 10.5 | 17          |  |
| JTAT-14-1/8-50 | 1/8"PT-Ø4*50L  | 14         | 4 | PT 1/8"   | 50 | 6  | 6  | 10.5 | 17          |  |

| Item No.       | Specifications | Major Size |   |           |    |    |    |      | Unit (mm)   |  |
|----------------|----------------|------------|---|-----------|----|----|----|------|-------------|--|
|                |                | D2         | D | THREAD(S) | L  | D1 | B1 | H    | HEXAGRAM(B) |  |
| JTAT-15-1/8-10 | 1/8"PT-Ø4*10L  | 15         | 4 | PT 1/8"   | 10 | 6  | 6  | 10.5 | 17          |  |
| JTAT-15-1/8-30 | 1/8"PT-Ø4*30L  | 15         | 4 | PT 1/8"   | 30 | 6  | 6  | 10.5 | 17          |  |
| JTAT-15-1/8-50 | 1/8"PT-Ø4*50L  | 15         | 4 | PT 1/8"   | 50 | 6  | 6  | 10.5 | 17          |  |

| Item No.       | Specifications | Major Size |   |           |    |    |    |    | Unit (mm)   |  |
|----------------|----------------|------------|---|-----------|----|----|----|----|-------------|--|
|                |                | D2         | D | THREAD(S) | L  | D1 | B1 | H  | HEXAGRAM(B) |  |
| JTAT-16-1/8-10 | 1/8"PT-Ø4*10L  | 16         | 4 | PT 1/8"   | 10 | 6  | 6  | 12 | 17          |  |
| JTAT-16-1/8-30 | 1/8"PT-Ø4*30L  | 16         | 4 | PT 1/8"   | 30 | 6  | 6  | 12 | 17          |  |
| JTAT-16-1/8-50 | 1/8"PT-Ø4*50L  | 16         | 4 | PT 1/8"   | 50 | 6  | 6  | 12 | 17          |  |

| Item No.       | Specifications | Major Size |   |           |    |    |    |    | Unit (mm)   |  |
|----------------|----------------|------------|---|-----------|----|----|----|----|-------------|--|
|                |                | D2         | D | THREAD(S) | L  | D1 | B1 | H  | HEXAGRAM(B) |  |
| JTAT-18-1/8-10 | 1/8"PT-Ø4*10L  | 18         | 4 | PT 1/8"   | 10 | 6  | 6  | 12 | 17          |  |
| JTAT-18-1/8-30 | 1/8"PT-Ø4*30L  | 18         | 4 | PT 1/8"   | 30 | 6  | 6  | 12 | 17          |  |
| JTAT-18-1/8-50 | 1/8"PT-Ø4*50L  | 18         | 4 | PT 1/8"   | 50 | 6  | 6  | 12 | 17          |  |



High Pressure Adjustable Nozzle Spraying Device



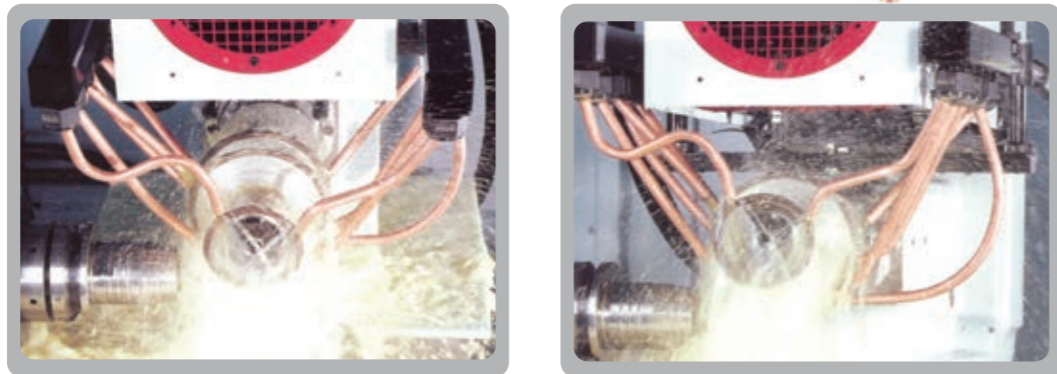
# Examples of Application

## Examples of Application

- ▶ Five multi-faceted direction of cooling injections.
- ▶ Strong injection cooling system will secure the cooling in the machining process.
- ▶ Strong injection cooling system will further clean out the dregs on diamond wheel, thus making more sharpened and extend its service life.
- ▶ Strong injection cooling system will further clean out the dregs on working table and bring out a clean workpiece.



Example of Use for Cutting Grinder

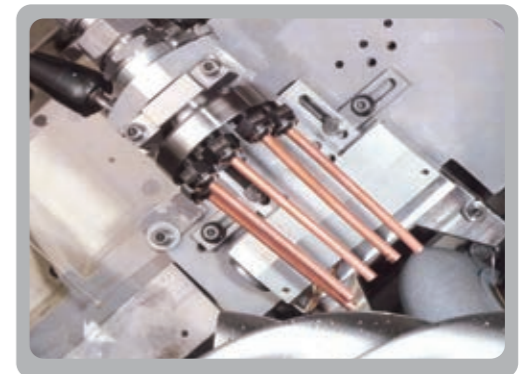


## Examples of Application

- ▶ Five multi-faceted direction of cooling injections.
- ▶ Strong injection cooling system will secure the cooling in the machining process.
- ▶ Strong injection cooling system will further clean out the dregs on diamond wheel, thus making more sharpened and extend its service life.
- ▶ Strong injection cooling system will further clean out the dregs on working table and bring out a clean workpiece.



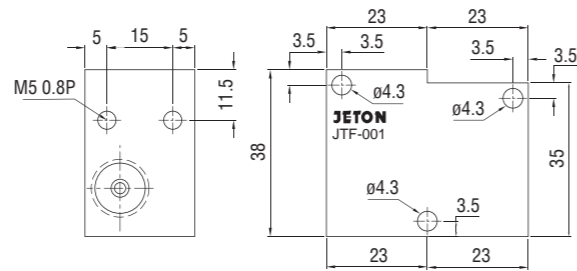
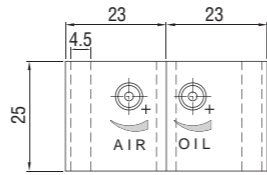
Pneumatic Machine to Cutting Grinder



# Examples of Application



# SPRAYING DEVICE

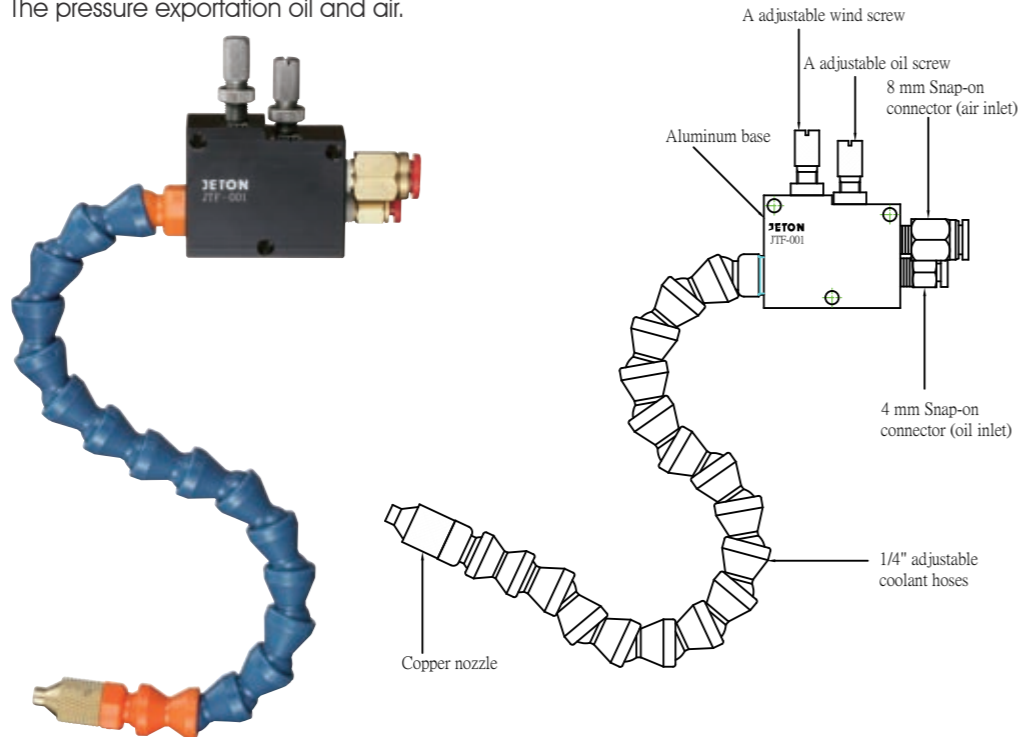


## Spraying Device

- JTF-001**  
**SPRAYING DEVICE**
- ▶ Aluminum Base 1 set
  - ▶ 1/4" Adjustable Coolant Hoses 1 piece
  - ▶ A Spray Nozzle 1 piece

- ▶ Applied to cool the micro-cutting under the high-speed.
- ▶ Two inlet ports, one for oil, and the other one for air.
- ▶ Adjust bolt to adjust the oil and air.
- ▶ The pressure exportation oil and air.

**Recommended Pressures:**  
 Atmospheric pressure: 0.5~5 kg/cm<sup>2</sup>  
 Hydraulic pressure: 0.5~2 kg/cm<sup>2</sup>

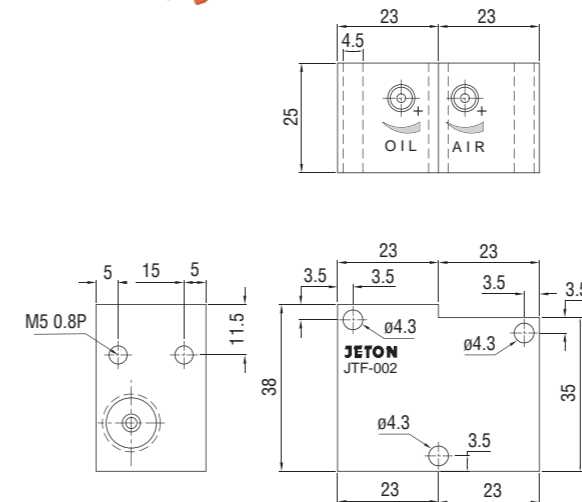
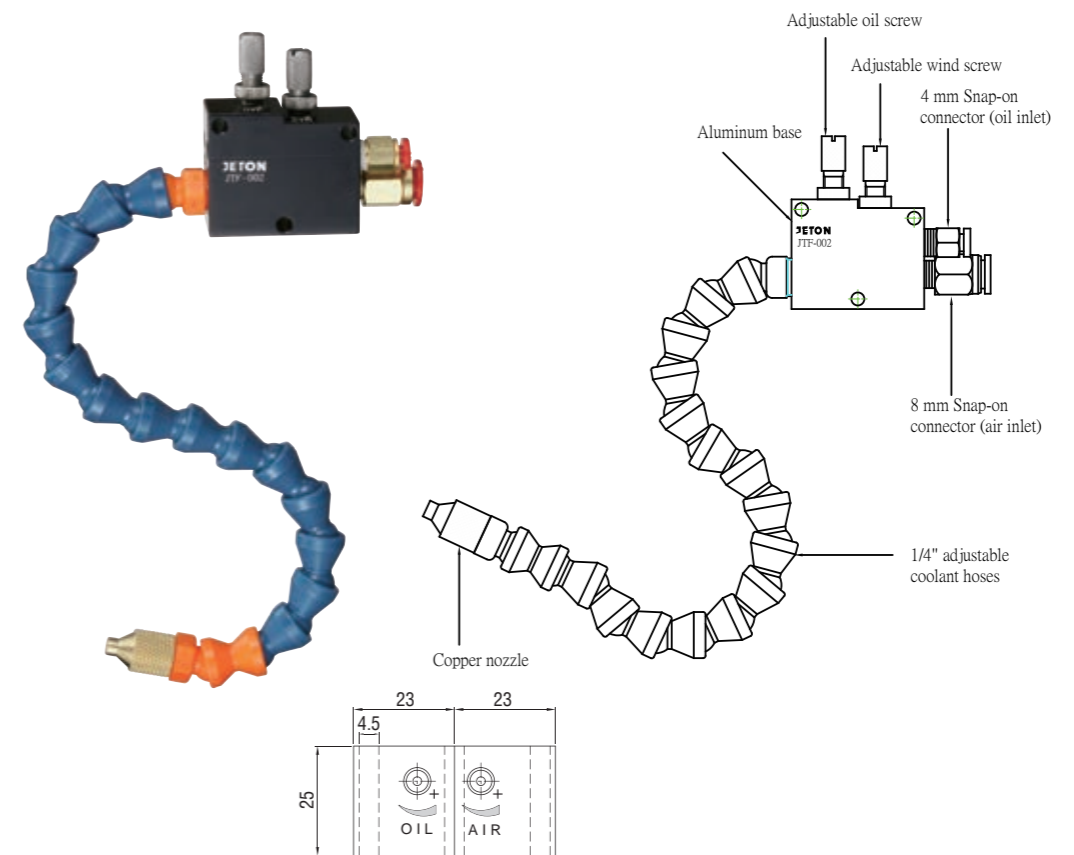


## Spraying Device

- JTF-002**  
**SPRAYING DEVICE**
- ▶ Aluminum Base 1 set
  - ▶ 1/4" Adjustable Coolant Hoses 1 piece
  - ▶ A Spray Nozzle 1 piece

- ▶ Applied to cool the micro-cutting under the high-speed.
- ▶ Two inlet ports, one for oil, and the other one for air.
- ▶ Adjust bolt to adjust the oil and air.
- ▶ The pressure exportation air arouses the oil into.

**Recommended Pressures:**  
 Atmospheric pressure: 3.5~5 kg/cm<sup>2</sup>  
 Hydraulic pressure: 0



## High Pressure Adjustable Nozzle Spraying Device

# Omnipotent

ISO 9001:2008 CERTIFIED  
[www.jeton.com.tw](http://www.jeton.com.tw)

